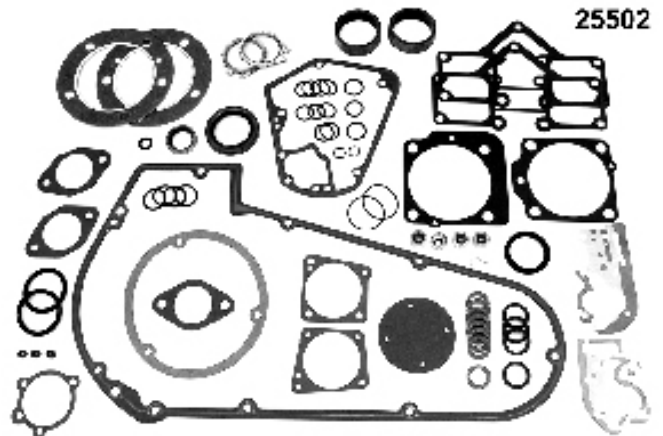


Section 17A

Gaskets

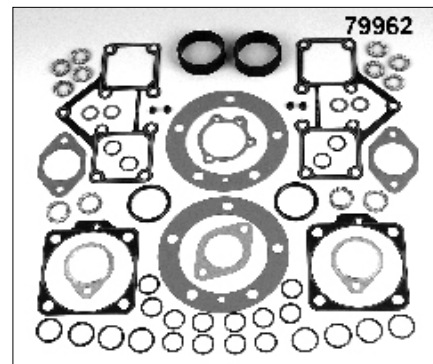
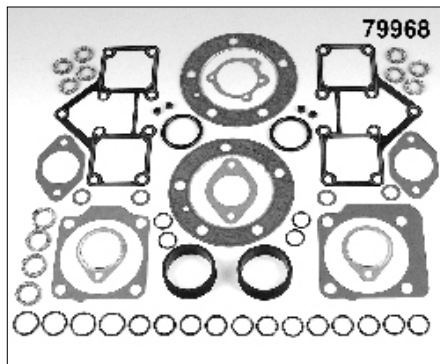
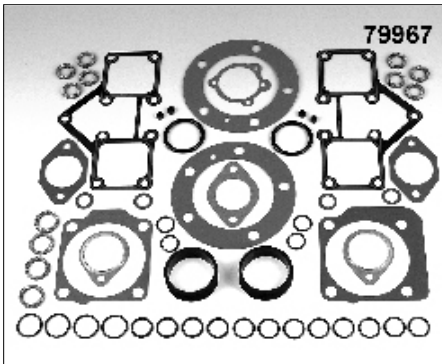
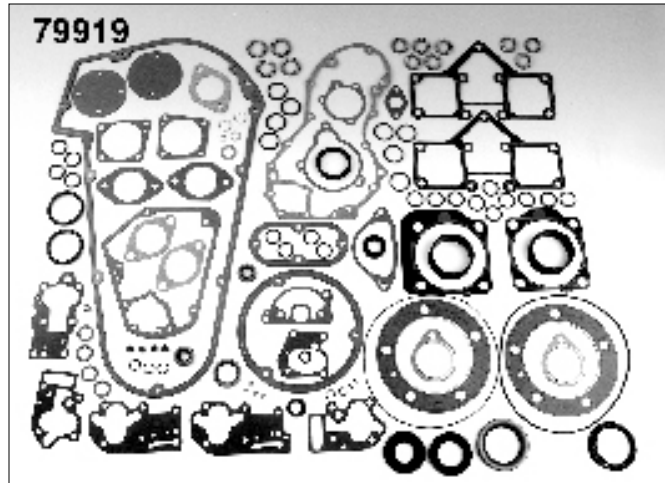
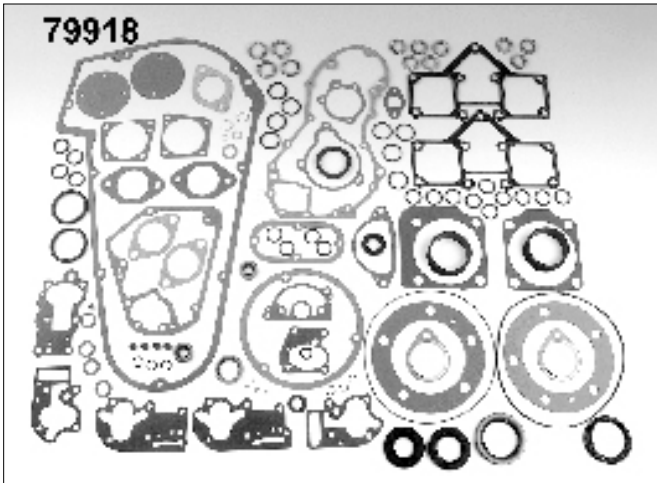
Accel	1
James BT Shovelhead	
Top End & Motor	2-6
Oil Pump	7
Transmission	8-10
Primary	11-12
Seals and Misc.	13-14
James Antique	19-24
James Sportster	25-28
Preston Misc.	15-18



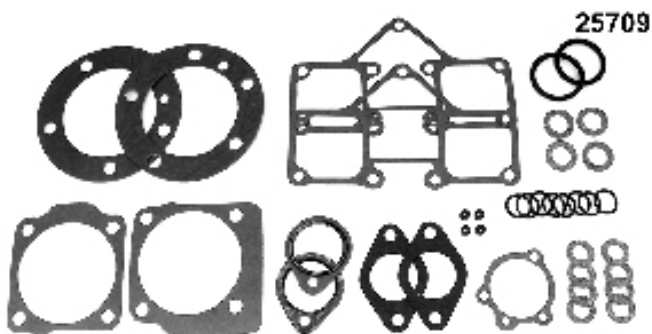
Accel Pan-Shovel Motor Gasket Kits

PCP	Application
25518	Top end gasket set Shovel 1966-84
25501	Engine set BT Shovel 74" 1966-69
25502	Engine set BT 4 speed Shovel 1970-on
25516	Engine set BT 5 speed Shovel 1980-on

Shovelhead Gaskets



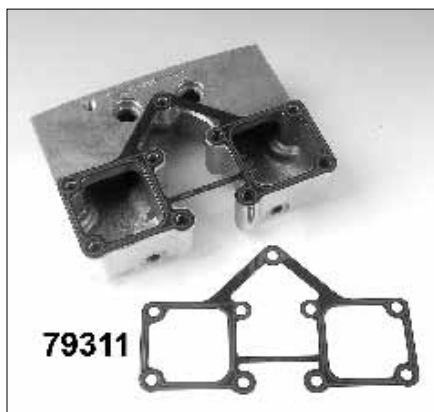
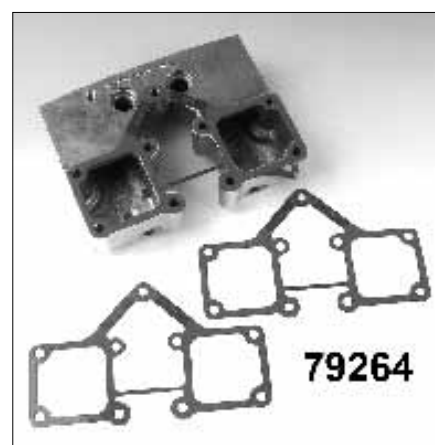
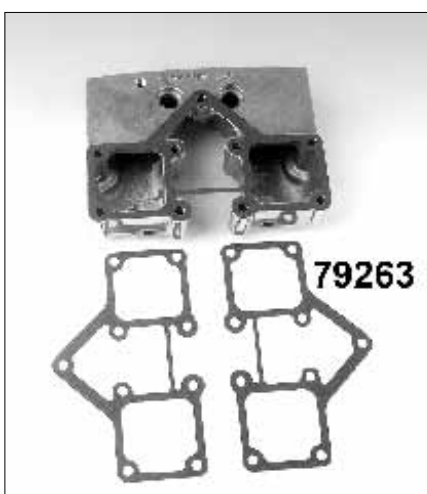
Big Twin Shovel Motor & Top End Kits				
James Brand	OEM #	Year	Description	U/M
79918	17029-70	66-84	Complete with blue teflon head gaskets	kit
79919	17029-70-A	66-84	Complete with beaded primary & fire ring haed gaskets	kit
79967	17034-66	66-84	Top end w/.045 blue teflon head gaskets	kit
79968	17034-66-X	66-84	Top end w/fire ring head & metal clinder base	kit
79962	17034-78-S	66-84	Top end w/3 5/8 BB blue teflon head, metal cylinder base	kit



Preston Top End Gasket Sets

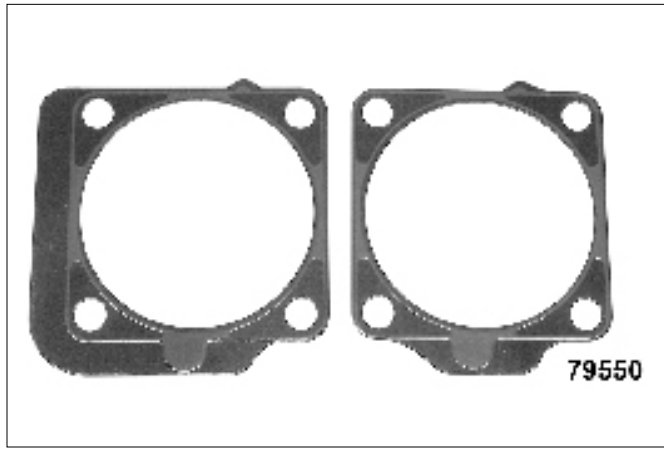
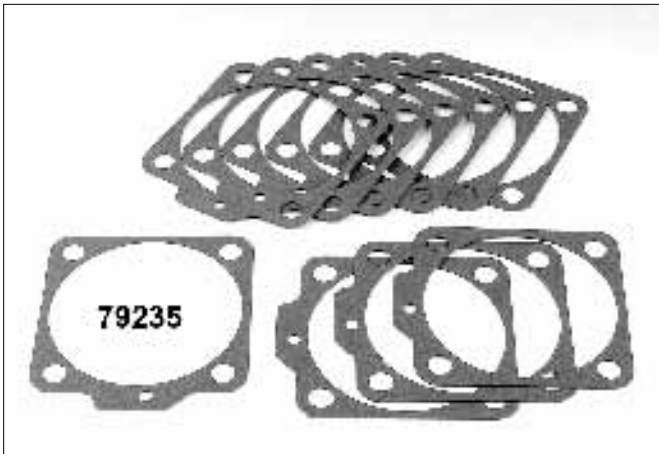
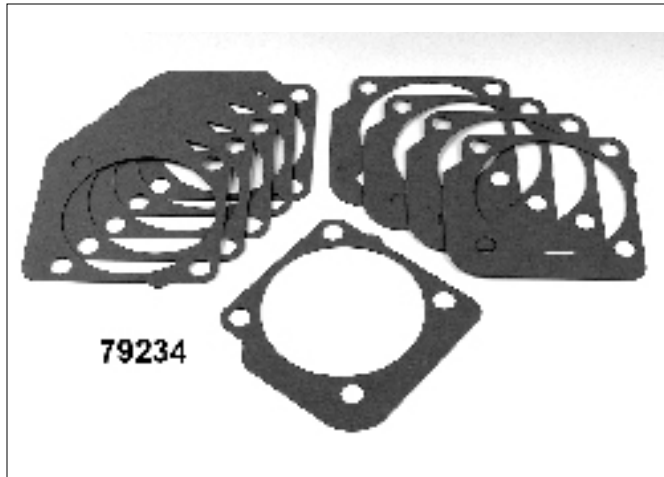
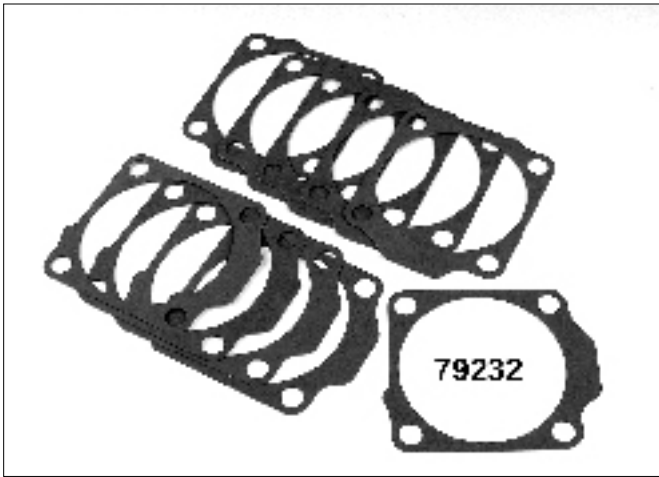
PCP Description
 25709 Shovelhead 1966-E78 (17034-66)

Shovelhead Gaskets



Big Twin Shovel, Head & Rocker Cover					
James Brand	Preston Brand	OEM #	Year	Description (eg: .046/.040 is start size & final crush)	U/M
79212	25296	16770-66A	66-84	Blue teflon head (James are .046/.040)	10
	25903	16770-66B	66-84	Head	10
79222		16770-66-B	66-84	Head, .048/.042 graphite head with fire ring	10
79213		16770-66-S	66-84	.046/.040 head & .031/.025 base	set
79214		16770-66-X	66-84	Head, .046/.042 coated material with fire ring	2 pk
79263		17540-69-A	66-84	Rocker cover, .031 paper	10
79264		17540-69-X	66-84	Rocker cover, .020 paper with bead	10
79311		17540-99-X	66-84	Rocker cover, .020 metal with bead	2
79090		18196-51	51-78	Gasket, valve guide, paper	20

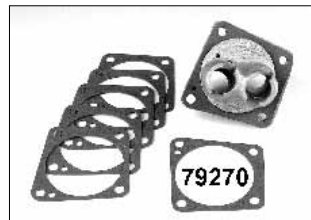
James Shovelhead Gaskets



Big Twin Shovel, Cylinder				
James Brand	OEM #	Year	Description	U/M
79232	16776-63	66-84	Front cylinder base, paper, .031/.025	10
79234	16777-63	66-84	Rear cylinder base, paper, .031/.025	10
79235	16777-66-S	66-84	3-5/8 BB base, paper, .031/.025	10
79521	16776-63-X	63-84	Rubber coated steel cylinder base, .036/.034	set
79550	16776-63-X1	63-84	Front & rear base, metal w/beading on 2 sides, .022/.020	set
79524	16777-66-SX	63-84	3-5/8 BB front & rear base, metal with bead, .022/.020	2 pk
79471	16777-66-X	63-84	3-5/8 BB, front & rear base, metal with bead, .036/.034	2 pk

Shovelhead Gaskets

NOTE: Most gaskets sold in 10 packs check U/M Pricelist.



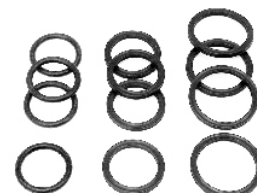
BT Guide Block & Push Rod Service - 1948-84

James Brand	Preston Brand	OEM #	Year	Description	U/M
79003	14501**	11101	57-84	O-ring, rocker & push rod cover	25
79004	14572**	11101-X	57-84	O-ring, over size of #79003	25
79005		11101-XL	79-85	O-ring kit	12 pc
79017	14512**	11118	82-84	Quad seal, top of push rod cover	25
79023	14516**	11132	79-99	O-ring, center of push rod covers	25
79024	14518**	11133	79-E81	O-ring, push lower rod cover to guide block	25
79025	14517**	11133-A	L81-84	O-ring, as above	25
79026		11133-FL	79-E81	O-rings	kit
79027		11133-FLH	L81-83	O-rings	12 pc
	72142		L79-84	Colony o-rings	12 pc
79268	25043**	17955-36	36-80	Small push rod corks	100
79089		17955-36-A	36-80	Seal, lathe cut rubber	100
79104	25044**	17955-48	48-E79	Large push rod corks	100
79106	25610	17955-48FL	48-79	Cork gaskets	12 pc
79270		18633-48-A/C	48-90	Rear guide block, .031 paper	10
79273		18633-48-A/B	48-90	Front guide block, .031 paper	10
Note**	10 packs				



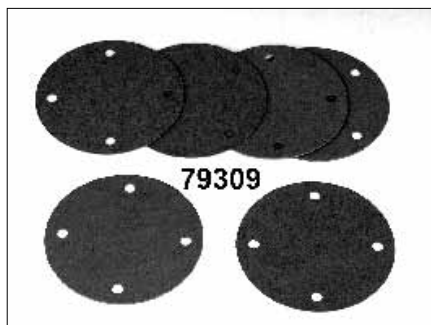
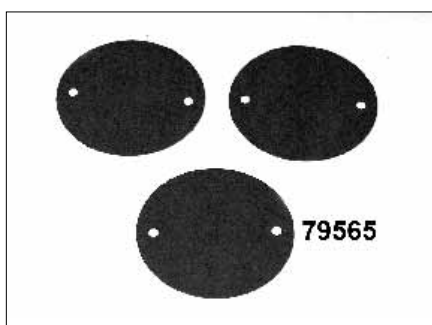
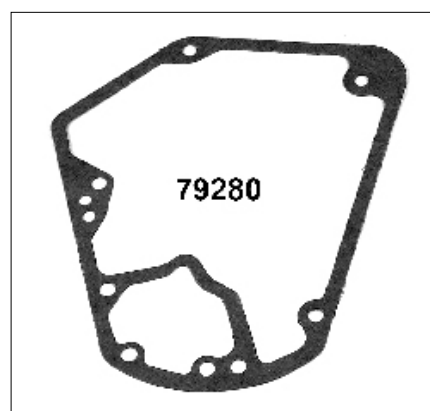
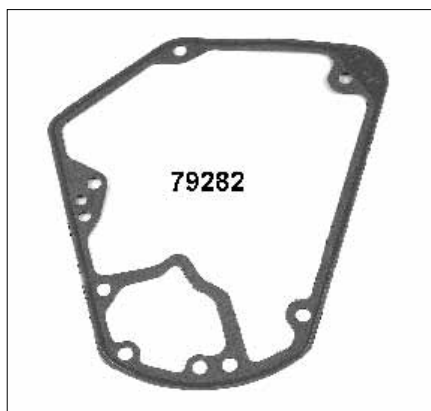
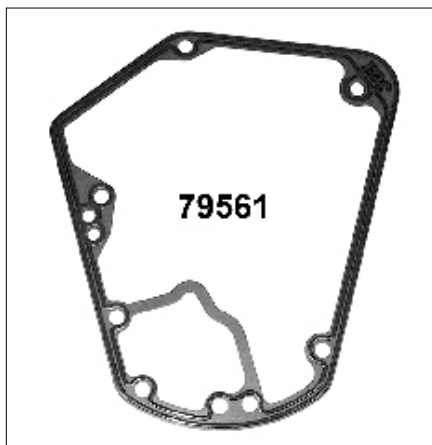
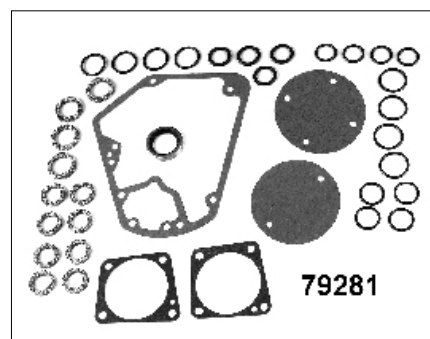
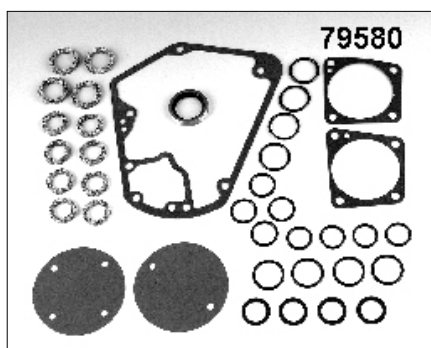
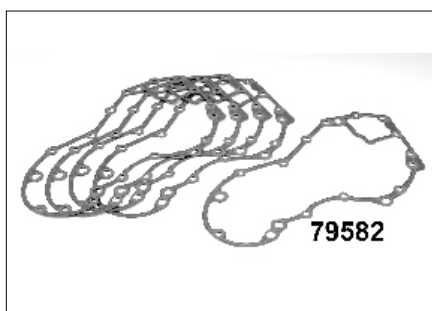
Special Tappet Gaskets

74 and 80 Tappet base gaskets without oil return holes for use in engines with solid lifters 5 front, 5 rear.
25057



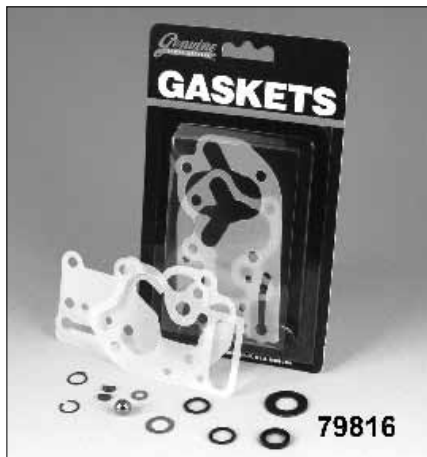
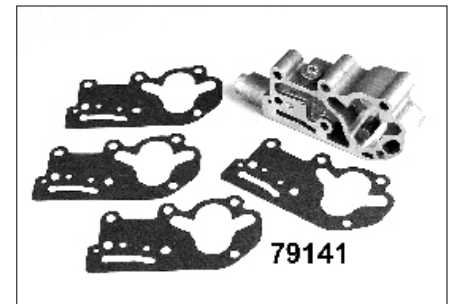
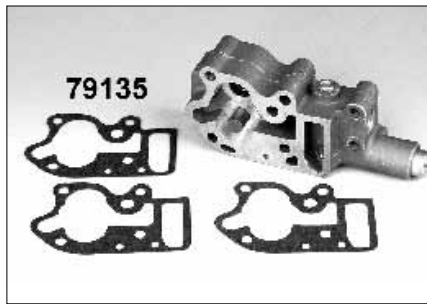
Pushrod Cover Seal Kit 80" BT L1979-84 72142

James Shovelhead Gaskets



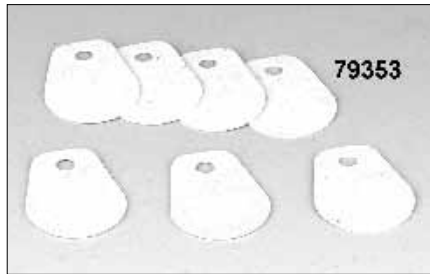
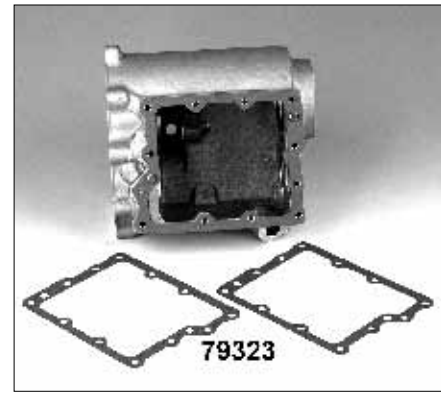
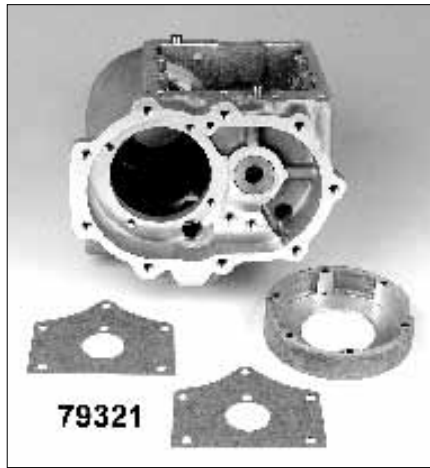
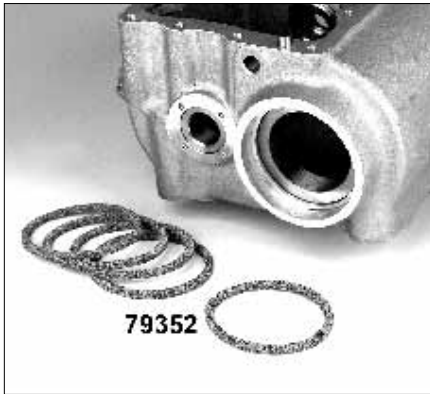
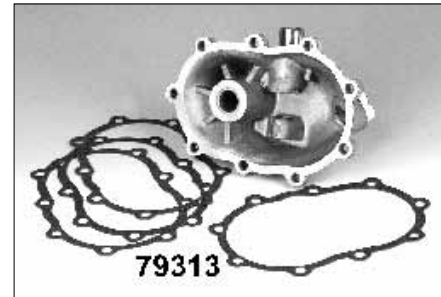
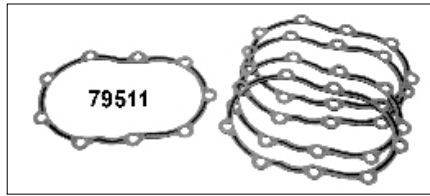
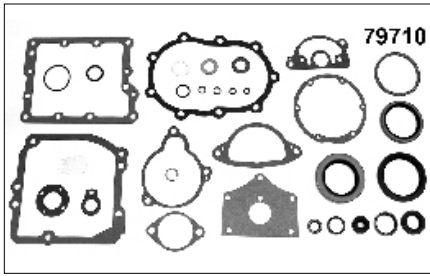
BT Cam Cover 1965-84				
James Brand	OEM #	Year	Description	U/M
79278	25225-36-C	41-69	Gasket, .020 paper	10
79582	25225-36-CX	41-69	Gasket, .020 paper with beading	5
79280	25225-70-B	70-92	Gasket, .031 black paper	10
79281	25225-70-K	70-92	Gasket & seal quick change w/.031 paper cam gasket	kit
79580	25225-70-KX	70-92	Gasket & seal quick change w/coated steel cam gasket	kit
79282	25225-70-X	70-92	Gasket, .031 paper with bead	5
79561	25225-70-XM	70-92	Gasket, .036 metal core w/silicone on 2 sides (excellant torque retention)	ea
79565	32591-70	70-79	Point gasket, 2 hole	10
79309	32591-80	80-99	Point gasket, 4 hole	10
79502	83162-51	70-99	Oil seal, cam gear shaft, metal O.D.	5
79503	83162-51-DL	70-99	Oil seal, camgear shaft, rubber O.D.	5

James Shovelhead Gaskets



FL-FX Oil Pump Gaskets & Kits - 1948-84					
James Brand	Preston Brand	OEM #	Year	Description Kits include all pieces necessary to service those years	U/M
	14505	11105	68-99	O-ring, pump cap	10
	14032	26227-58	58-98	Seal, pump shaft to body	5
79126		26246-68-D	68-80	Inner cover, paper	10
79135		26258-68-D	68-80	Outer cover, paper	10
79141		26273-80-B	L80-91	Inner cover, paper	10
79143		26276-80-A	L80-91	Outer cover, paper	10
	10308	26340-36	36-67	Short key	10
	10310	26348-15	36-99	Long key	10
	11060	26348-36	36-99	Snap ring, oil pump shaft	10
79815		48-FL	48-67	Gaskets & hardware	kit
79816		68-FL	68-80	Gaskets & hardware, mylar pump gaskets	kit
79817	25601	79-FLH	68-80	Gaskets & hardware, paper pump gaskets	kit
79842		68-FLR	68-80	Gaskets & hardware, rubber coated steel pump gaskets	kit
79818		81-FL	81-91	Gaskets & hardware, mylar pump gaskets	kit
79819	25602	81-FLH	81-91	Gaskets & hardware, paper pump gaskets	kit
79460		6377	50-86	Brass washer, plug	10

James Shovelhead Gaskets



FL-FX 4 Speed Transmission Gaskets - 1965-84

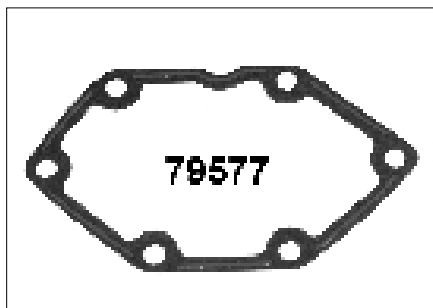
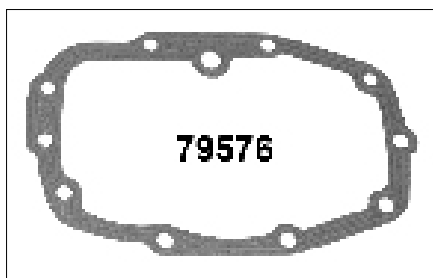
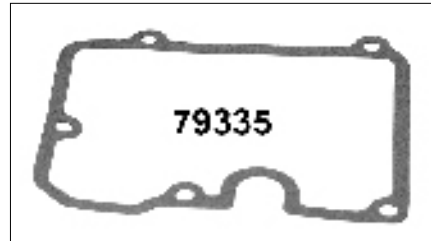
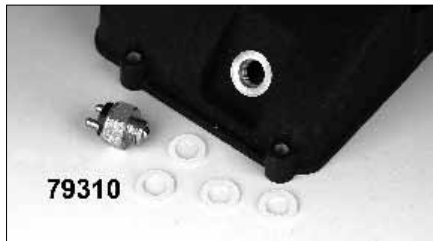
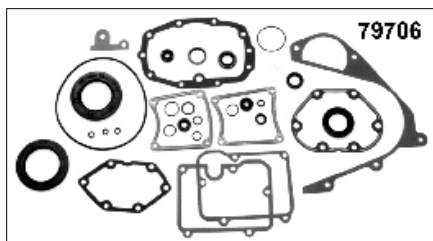
James Brand	Preston Brand	OEM #	Year	Description	U/M
79710		33031-70	36-86	Gaskets & seals for foot shift or hand shift	kit
79310		33043-80	80-on	Washer, neutral switch	10
	25111	33196-79	79-86	Gasket, shift cover, paper	10
79313		33295-36	36-86	Gasket, kick cover, paper w/o bead	10
79511		33295-36-X	36-86	As above, with beading	5
	25113	34552-52	52-E79	Gasket, shifter cover	10
79321		34565-52	52-E79	Gasket, shifter plate	10
79323		34824-36	36-E79	Gasket, top cover	10
79324		34824-79	L79-86	Gasket, top cover	10
	10312	35175-38	41-77	Key, main drive gear	10
	13727	35216-36	36-84	Lock tab, sprocket to main drive gear	10
79352		35231-36	36-E79	Cork, main drive oil seal	10
79353	25133	35607-73	73-79	Gasket, speedo hole cover FX-FXE	10
79609		35607-73-X	36-79	Plug, speedo drive hole, molded rubber on steel	ea
79486		67141-36	36-84	Gasket, speedo hole	10

James Shovelhead Gaskets



FL-FX 4 Speed Transmission O-Rings & Seals -1965-84					
James Brand	Preston Brand	OEM #	Year	Description	U/M
	14010	12010	L79-86	Oil seal, shifter gear shaft cover	5
79064	14103	12022	L66-81	Oil seal, main drive gear end	5
	14038	33076-37	37-80	Seal, starter crank shaft	5
79317	14039	34036-36	36-79	Seal, shifter fork shaft	10
79318	14548	34036-80	L80-85	O-ring, shifter fork shaft	10
79811		35211-36-DL	36-85	Super nut, trans sprocket seal	kit
79812		35211-85-DL	36-85	Replacement D/L seal for above nut	5
79351		35230-39-DL	36-79	Oil seal	kit
79808		35230-39-K	36-79	Oil seal kit, main drive gear	kit
79609		35607-73-X	36-79	Plug, speedo drive hole, molded rubber on steel	ea
79371		37741-67	80-80	Oil seal, main drive gear, rubber O.D.	5
79809		37741-67-K	80-81	Oil seal kit	kit
79187	14056	37741-82-A	82-84	Oil seal, metal O.D. main drive gear	ea
79374		37741-82-DL	82-84	Oil seal as above with rubber O.D.	ea
79810		37741-82-K	82-84	Oil seal kit, transmission main	kit

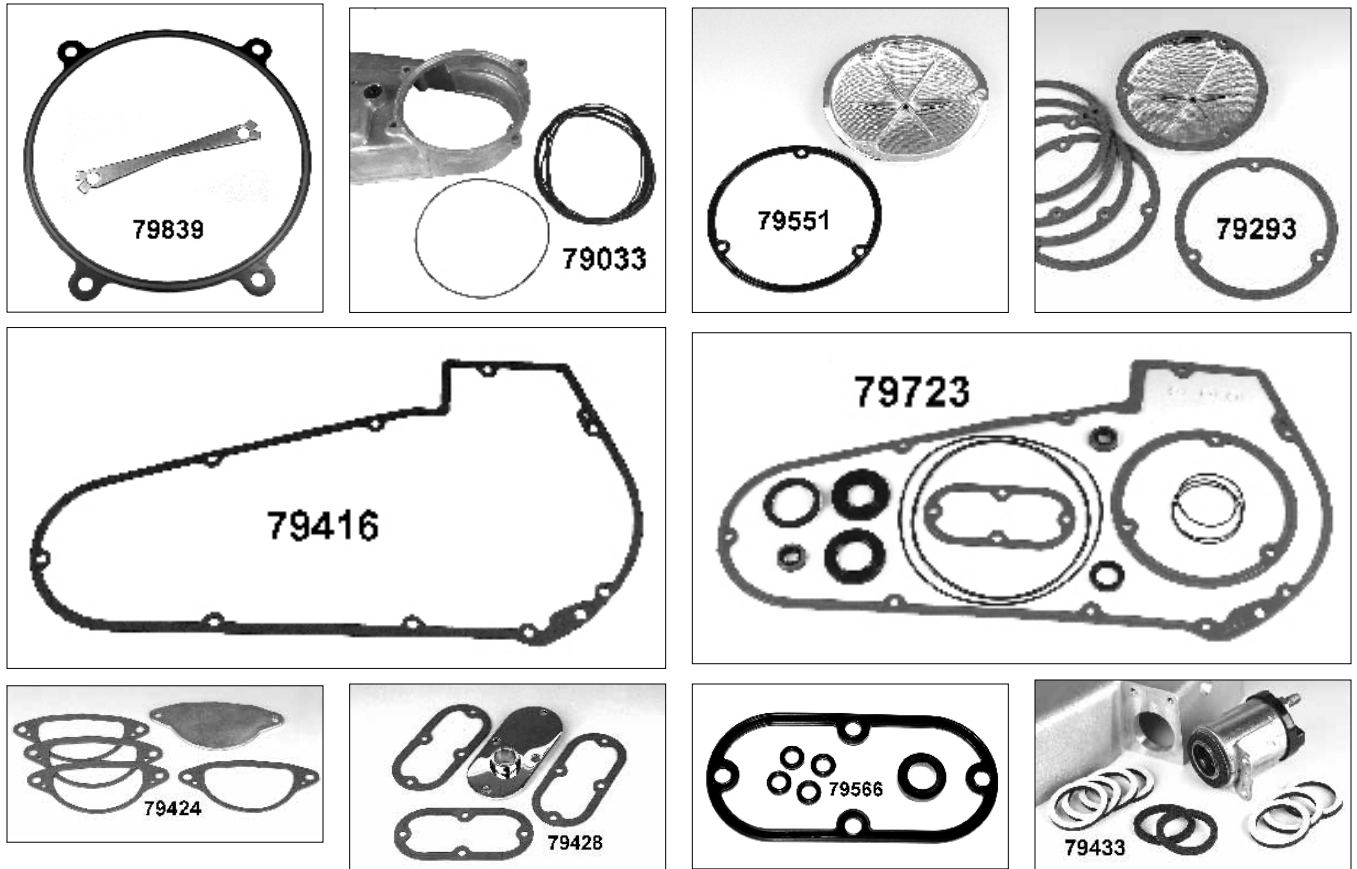
James Shovelhead Gaskets



FLT-FXR 5 speed Transmission-1979-84

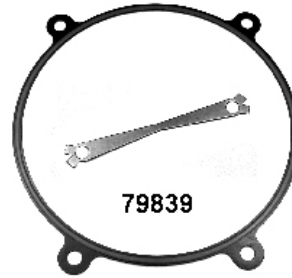
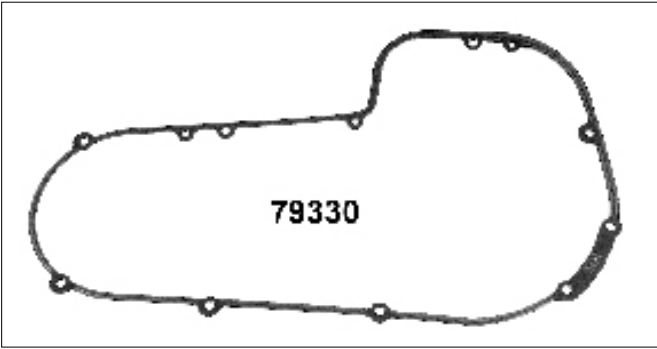
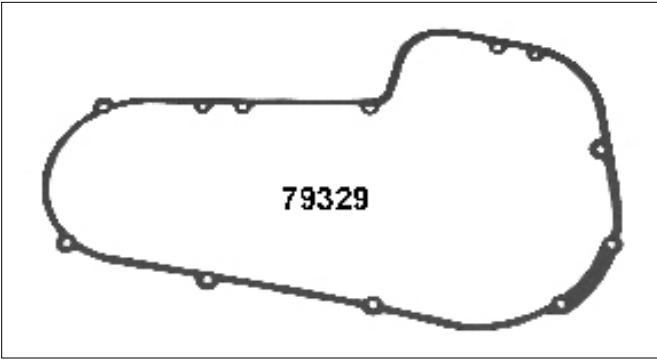
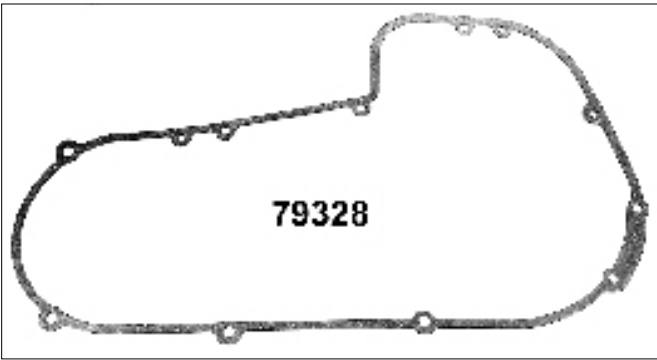
James Brand	Preston Brand	OEM #	Year	Description	U/M
79075	14018	12044-A	80-84	Oil seal, main drive gear, rubber O.D. DL	ea
79825		12044-AK	80-E84	Oil seals, main seal	kit
79076		12044-DL	80-84	Oil seal, main drive gear, metal O.D.	ea
79077	14019	12045-DL	80-06	Oil seal, shifter shaft, rubber O.D. DL	5
79491		12045-M	80-06	Oil seal, as above with metal O.D.	5
79706		33031-85	80-99	Gaskets & seals, w/o oil pan	kit
79310		33043-80	80-on	Washer, plastic, neutral switch	10
79335		34904-79	79-85	Gasket, top cover	10
79355		35652-79A	79-98	Gasket, bearing cover	10
79576		35652-79-X	79-98	Gasket, paper with beading	5
79358		36801-79	79-86	Gasket, clutch release cover, paper	10
79577		36801-79-X	79-86	Gasket as above with beading	5
79362		37091-80	80-86	Washer, nylon, oil dip stick	10
79375		6007-X	80-94	Washer, drain plug, metal w/rubber inner seal for 5/8"	6

James Shovelhead Gaskets



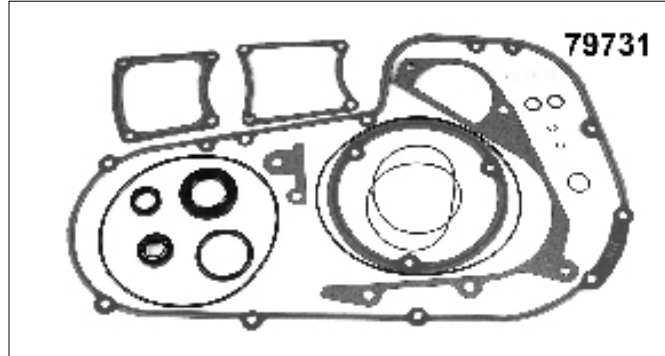
Big Twin Primary-1965-84 4 Speed					
James Brand	Preston Brand	OEM #	Year	Description	U/M
79839		11125-XMS	70-84	Crankcase saver, RCM gasket & lock tab	kit
79853		11125-XMSF	70-84	Crankcase saver, Foamet gasket & lock tab	kit
79033	14522	11147	82-05	O-ring, inner chain cover to motor	10
79062	14013	12018	70-E84	Seal, inner primary cover	5
79291		25416-70	70-83	Clutch derby cover, paper	10
79551		25416-70-DL	70-98	Derby cover "oil seal" molded rubber w/meatl insert	ea
79552		25416-70-K	70-98	Outer primary inspection & derby cover	kit
79293		25416-70-X	70-98	Clutch derby cover, paper with beading	10
79415		60518-65	65-69	Starter cover plate, paper	10
79416		60538-81-A	L81-85	Primary cover, .062 paper	5
79417		60538-81-C	65-85	As above with bead	5
79722		60538-81-K	65-85	Gaskets & seals	kit
79723		60538-85-K	65-86	Gaskets & seals	kit
79427		60540-65-A	65-80	Outer primary, .062 paper with bead	5
79742		60540-65-K	65-69	Gaskets & seals, 8-hole primary	kit
79738		60540-70-K	70-82	Gasket & seals, 8-hole primary	kit
79424		60559-80	80-85	Starter motor to inner prim ary, paper, FL-FX-FXWG	10
79428		60567-65-B	65-on	Inspection, .062 paper with beading on 2 sides	5
79430		60567-90	65-on	Inspection, .062 paper with bead on 1 side	5
79566		60567-90-DL	65-on	Inspection cover oil seal, molded rubber on steel	kit
79608		60567-90-DLK	74-86	Inspection cover kit	kit
79432		60641-74	74-86	Oil seal, DL, shift shaft thru inspection cover	5
79433		60645-65	65-84	Starter solenoid to inn/primary, adhesive peel apart	10

James Shovelhead Gaskets



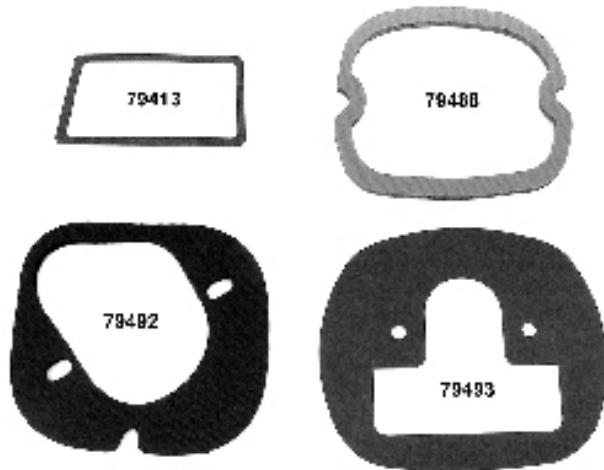
Crankcase Saver Kit BT 1970-on

PCP	Description
79853	Foamet gasket and lock plate only
79839	RCM gasket and lock plate only



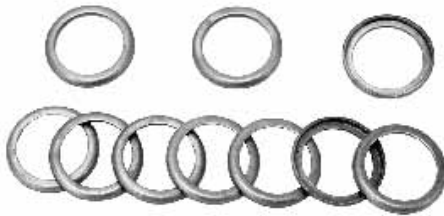
Big Twin Primary- FLT-FXR 1979-84 5 Speed					
James Brand	Preston Brand	OEM #	Year	Description	U/M
79022	14515	11125	70-82	O-ring, inner chain cover to motor	10
79033	14522	11147	82-05	O-ring, inner chain cover to motor	10
79073	14017	12043	80-86	Starter seal, rubber O.D. double lip	5
79074		12043-A	80-86	Starter seal, metal O.D. single lip	5
79291		25416-70	70-83	Clutch derby cover, paper	10
79551		25416-70-DL	70-98	Derby cover "oil seal" molded rubber w/meatl insert	ea
79293		25416-70-X	70-98	Clutch derby cover, paper with beading	10
79514		25416-79-K	79-84	Derby & inspection, rubber coated	kit
79328		34901-79	79-83	Outer primary, .030 paper w/o beading	10
79329		34901-79-A	L83-93	Outer primary, .062 paper w/o beading	5
79330		34901-79-B	L83-93	Outer primary, .062 paper with bead	5
79731		34901-85-K	80-93	Gaskets & seals	kit
79333		34902-79-A	79-85	Inner primary to trans, (large) .030 paper	10
	25124	34903-79	79-85	Inner primary to trans, (small) .030 paper	10
79337	25127	34906-79	79-84	Primary inspection, .030 paper	10
79338		34906-79-A	83-84	Primary inspection, .062 paper w/bead	5
79349		34906-79-DL	79-84	Primary inspection, molded rubber on steel	ea

James Shovelhead Gaskets



Tail Lamp & Signals

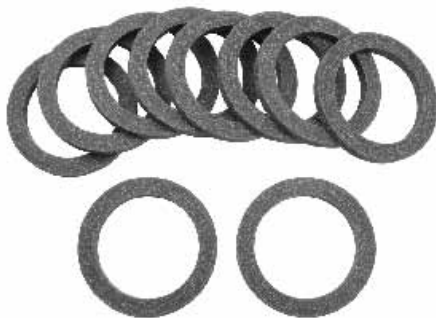
- 79413** 59181-80 Fender lamp lens FLT, FLSTC 1980-on
- 79488** 68027-90 Tail lamp lense 1973-93 (5 pk)
- 79489** 68121-55 Tail lamp top outlook 1955-72
- 79490** 68122-55 Tail lamp lense 1955-72
- 79492** 68123-55 Tail lamp mount to fender 1955-72
- 79493** 68123-73 Tail lamp mount to fender 1973-98
- 79499** 68521-63-A Turn signal lens FL, FX, FLHT Classics 1963-85



Oil Tank Drain Plug Brass Washers

Models with oil filter inside oil tank. Replaces #62702-52. Fits 1952-65 XL 74" and 1966-84 XL 74" and 80".

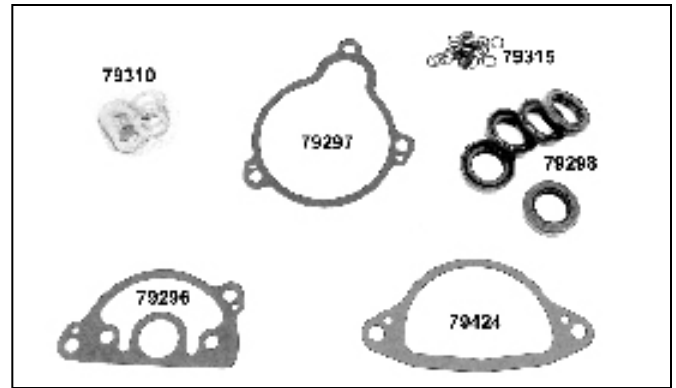
79455



Oil Filler Cap Cork Gasket 1966-on

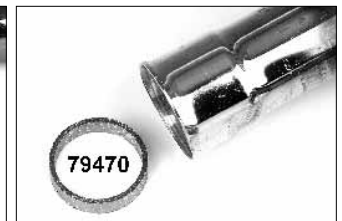
Models with oil filter inside oil tank. Replaces #62628-66. 1966-on XL, 74", 80".

79452 10 Pack



Starter and Electrical

- 79116** 25811-11 Fiberwasher, generator/neutral switch 1952-85, idler XL 1954-74 (20 pack)
- 79198** 30143-58 Gasket, generator FL 1958-69
- 79296** 31320-80 Gasket, starter motor FL 1980-85, FXB 80-84
- 79297** 31321-80 Gasket, starter shaft housing FL 1980-85, FXB 1980-on
- 79298** 31341-80-DL Seal, starter FXB 1980-85
- 79310** 33043-80 Nylon washer, neutral switch 1980-on
- 79318** 34036-80 Seal, starter motor 1980-85
- 79415** 60518-65 Starter plate block off (no holes) FL1965-69, FX 1971-78
- 79424** 60559-80 Starter motor mount FL 1980-85
- 79433** 60645-65 Solenoid 4 speed 1965-85
- 79480** 66103-74-A Pad, battery bottom FX 1974-84



Exhaust Gaskets (10 pack)

- 79473** 65834-68-A Copper exh. port
- 79475** 65834-68-SC Steelcore exhaust
- 79476** 65834-68-X Fire ring exhaust
- 79470** 65781-82 X/Over Tube 1982-on FXR, XL (each)
- 79831** SE1 Lock stud kit w/nugget nut



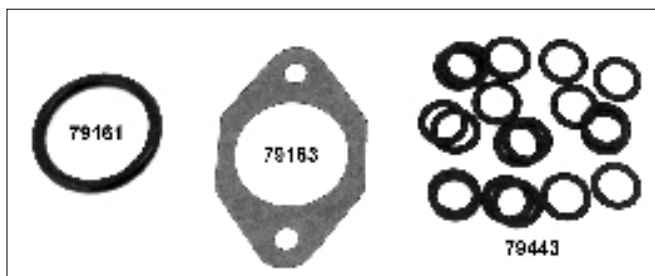
James Shovelhead Gaskets

NOTE: Most gaskets sold in 10 packs check U/M Pricelist.



Wheel Seals (5 pack)

- | | | |
|--------------|----------|---|
| 79078 | 12047-DL | Seal, FLT-Classic 1980-81 |
| 79378 | 41210-55 | .250" Seal FL 1967-72 |
| 79409 | 47519-58 | .500" Seal, FL, FX 1958-83, rubber coated |
| 79410 | 47519-72 | .315" Seal, wheel bearing FL, FX 1972-83, metal |



Carb and Gas/Oil Tank Gaskets

- | | | |
|--------------|------------|---|
| 79821 | | Bendix carb kit 1972-76 |
| 79823 | 27006-76 | Keihin carb kit 1976-84 |
| 79160 | 27023-71 | Intake manifold BT 1971-76 |
| 79161 | 27060-55 | O-ring, manifold 1955-78 |
| 79162 | 27062-78 | Seal, manifold band 1978-84 |
| 79163 | 27077-78 | Manifold BT 1978-89 |
| 79555 | 27077-78-X | As above with silicone |
| 79118 | 27361-76 | Diaphragm, accelerator 1976-89 |
| 79437 | 61114-48 | Rubber, gas cap UL-FL 1937-on thin, large hole |
| 79438 | 61116-65 | Filler cap rubber BT 1965-82 thin, small hole (10 pk) |
| 79443 | 62172-75 | Fuel valve all 1975-on (20 pk) |
| 79452 | 62628-66 | Cork oil tank cap 1966-82 |
| 79455 | 62702-52 | Brass drain plug washer 1952-85 |
| 79458 | 63529-50 | Seal, oil line |
| 79459 | 63529-57 | Seal, oil line nut 1957-84 (25 pk) |

Front Forks

- | | | |
|--------------|----------|---|
| 79385 | 45400-75 | 35mm Seal FX 1975-83 |
| 79387 | 45403-75 | Copper drain washer FX 1975-77 |
| 79391 | 45733-48 | Seal, fork cap FL 1948-86 |
| 79393 | 45843-77 | Seal, fork leg Wide Glides L1977-84 |
| 79396 | 45850-48 | Felt washer FL 1949-E77 |
| 79399 | 45927-73 | 35mm Seal FX 1973-74 |
| 79405 | 45992-73 | Washer, damper screw Narrow Glide 1973-75 |



Fork Seal Kits

- | PCP | OEM | Description |
|--------------|----------|--------------------------|
| 79800 | 45849-49 | BT 1949-E77 |
| 79801 | 45849-71 | FX-XL 1971-72 |
| 79802 | 45849-73 | FX with Kayaba 1973-77 |
| 79803 | 45849-75 | FX-XL with Showa 1975-83 |
| 79804 | 45849-77 | Wide Glides L1977-84 |

Preston's Gaskets

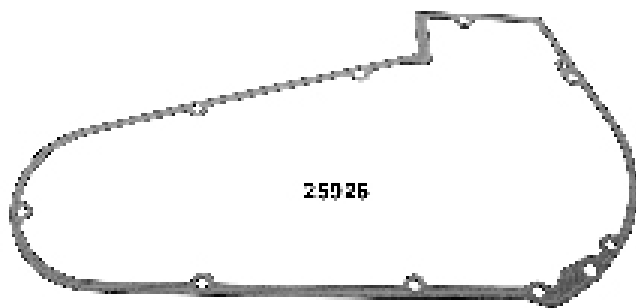
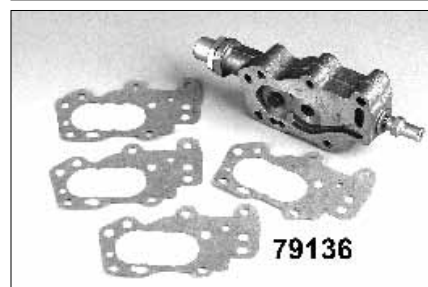
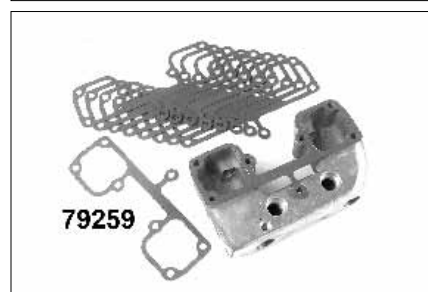
NOTE: Most gaskets sold in 10 packs check U/M in Price List.

PCP	OEM	Description
79205	16769-72A	Cylinder head copper XL 1972-E73
79206	16769-73	Cylinder head (.016) XL 1973-85 XL
79209	16770-36	Cylinder head 1936-47 OHV
25002	16770-48	Cylinder head 1948-65 OHV (stock type) Teflon
79210	16770-48	As above, James
79220	16774-21	Cylinder base 1936-47 OHV
79221	16774-57	Cylinder base XL 57-71
25020	16774-72	Cylinder base XL 72-85
25023	16776-48	Cylinder base front 74 1948-62
25025	16777-48	Cylinder base rear 74 1948-62
25027	16777-66-X	3-5/8" BB cylinder base set, paper 1966-84
25035	17507-48	Panhead rocker cover pad 1948-65
25036	17535-38	Rocker cover 1936-47 OHV
79259	17536-70	Sportster rocker cover 57-85
25038	17537-38	Knuckle rocker cover R/intake
25039	17539-38	Knuckle rocker cover F/exhaust
79265	17541-48A	Panhead cover thick 1948-65 (paper)
25042	17541-48B	Panhead cover thin 1948-65 (paper)
79267	17541-48-C	Panhead rocker gaskets (cork, .125)
79091	18198-38	Valve guide all Sidevalves, 45 1938-73 (20 pk)



NOTE: Most gaskets sold in 10 packs check U/M in Price List.

PCP	OEM	Description
25901	16770-48	Teflon head gasket 1948-65 (pair)
25020	16774-72	Gasket, cylinder 1000 XL 1972-85
25023	16776-48	Front cylinder 1948-62
25025	16777-48	Rear cylinder 1948-62
25035	17507-48	Pan cover felt 1948-65 (pair)
25036	17535-38	Gasket, rocker arm cover Knuckle 1938-47 (4pc)
25038	17537-38	Gasket, rocker arm cover Knuckle 1938-47, rear intake
25039	17539-38	Gasket, rocker arm cover Knuckle 1938-47, front exhaust
25042	17541-48B	Paper thin rocker cover 1948-65
23007	17955-36	Small rubber pushrod seals 1948-79
23008		As above, large rubber seal
25610	17955-48-FL	Pushrod cork kit 1948-79 (12 pc)
25057	-	Special tappet base (no oil hole) BT 1941-85
25059	24978-57	Oil strainer all XL 1957-81
79278	25225-36C	Cam cover 74 1941-69
79288	25263-81	Cam cover XL 1982-85
79123	26245-41	Oil pump body 61", 74" OHV 1941-67
79136	26259-52	Oil pump inner cover XL 1954-E62, XL/H 1972-77
25084	26495-75	Oil pump mounting XL 1977-on
25085	27023-71	Carburetor base 74" 1971-76; XL 1971-80
25086	27077-78	Carburetor to manifold BT 1978-89
25092	27411-40	Carburetor flange 1940-65 Linkert carburetor
25091	27410-57	Carburetor flange XL, XLH, XLCH 1957-65
25096	29058-77	Gasket, air cleaner to carb 1977-87

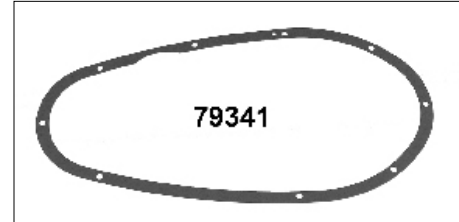
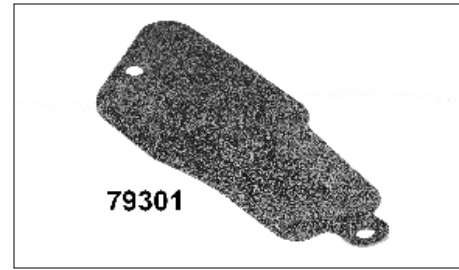


25926 FL-FX primary w/silicone 1981-85 (60538-81E) 5 pk

Preston's Gaskets

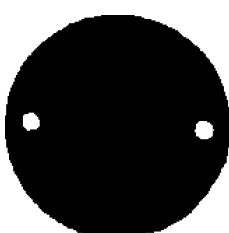
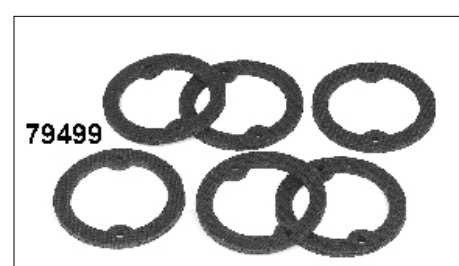
NOTE: Most gaskets sold in 10 packs check U/M in Price List.

PCP	OEM	Description
79301	31461-70	Starter hole cover plate 1970-80 XLCH
25104	31471-67A	Starter housing 1967-80 XLH
25105	31488-77	Starter motor 1977-80 XL
25106	31488-81	Starter motor housing 1981-on XL
25108	32522-37	Distributor base 1954-64 XL
25115	34624-77	Foot peg stud 1977-on all XL
79326	34826-41	Trans side cover 1929-73 45"
79341	34952-52	Primary cover 1952-69 XLCH; 1958-66 XLH
79342	34955-67	Primary cover 1967-76 XLH; 1970-76 XLCH
79344	34955-75	Primary cover 1977-90 all XL
25132	35169-52	Transmission mainshaft plate XL 1952-84
25135	36025-36	Trans counter shaft end plate 1936-64 61", 74", 80"
79358	36801-79	Release cover 1979-85 FLT, FXR 1980-86
25139	37762-52	Clutch dome 1952-70 all XL
25140	41766-58	M/C top 1958-78 Big Twin
25148	42455-80	Rear master cylinder cover 1979-81 XL; 1980-up BT, 1980-82 FXWG (reservoir cover 1983-on) (ea)
25142	42455-82	Rear brake reservoir 1982-on FXST, XL master cylinder 1982-on (ea)
79379	43570-35	Wheel hub cork 1936-66 Big Twin (small)
79380	43571-35	Wheel hub cork 1936-66 Big Twin (large)
25147	45012-72	Master cylinder top 1972-81 all Twins
25148	42455-80	Front master cylinder cover 1982-84 all Twins
14067	47519-58	.500" wheel seal, FL-FX 58-83, rubber coated O.D.
14068	47519-72	.315" wheel seal, FL-FX 1972-83, metal O.D.
23028	50100-70	Bumper pad, side stand to chain cover 1970-82 (5 pack)



NOTE: Most gaskets sold in 10 packs check U/M in Price List.

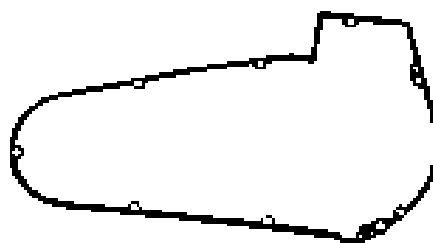
PCP	OEM	Description
25192	59181-80	Front fender lamp lense FLT 1980-on, FL L1982-on (each)
25153	60538-81-A	.062" Primary cover w/silicone BT 1965-84 4 speed (5 pack)
25155	60540-36	Primary cover 1936-64 61", 74", 80" (cork)
25170	63858-49	Primary drain plug 1971-on XL;
14557	63879-53	O-ring, oil filter 1952-82 XLH
79470	65781-82	Exhaust cross over tube 1982-on FXR, XL (each)
25175	65834-68B	Fire-Ring exhaust port 1966-84 (with copper ring)
25177	--	New type exhaust port (with copper facing)
5445	66100-15	Pad, battery top & bottom 1936-64 (pair)
25179	67141-36	Speedo drive unit 1941-80 Big Twin
25197	68047-79	Rear fender lamp lense BT L1982-on, FLT 1980-on (5 pack)
23002	68123-73BE	Taillamp to fender beaded edge rubber 1973-on Twins (each)
23003	68123-55BE	Taillamp to fender beaded edge rubber 1955-72 Twins (each)
23004	68123-47BE	Taillamp to fender beaded edge rubber 1947-54 Twins (each)
23005	68459-47	Front fender lamp 1947-50 Twins (each)
25183	68481-73	Turn signal lens 1973-85 XL FX
79499	68521-63A	Turn signal XLH 1963-85
25601	-	Paper BT oil pump set BT 1968-80
25602	-	Paper BT oil pump set 1981-91
79816	-	Mylar BT oil pump set 1968-80
79818	-	Mylar BT oil pump set 1981-91
25605	-	Oil pump gasket & seal kit XL 1000cc 1977-90



Ignition Cover Gasket

Use on all 1970-99 Twins.

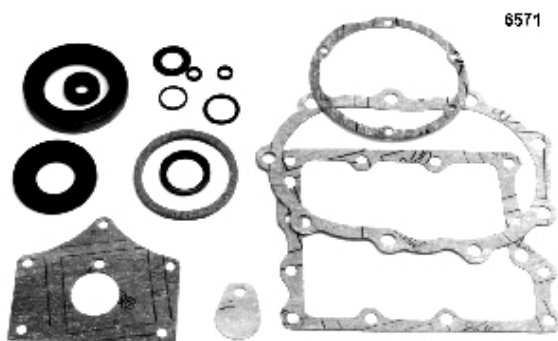
PCP	Type
25109	2-Hole (32591-70)
25110	4-Hole (32591-80)



PRIMARY GASKET FL-FX 1965-88

150400	8 Hole 1965-85 (60540-65)
150401	9 Hole (60538-81A)

Preston Gaskets

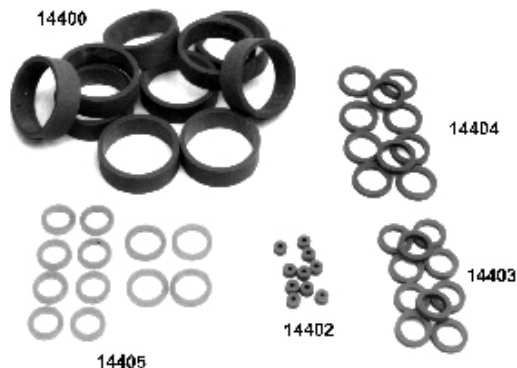


6571

Transmission Gasket Kits For Big Twins

Transmission kits contain all the gaskets and seals needed to rebuild transmissions. (Imported)

PCP	Fits
6571	1936-64 Big Twin (33031-36)
6572	1965-69 Big Twin (33031-65)
6574	1980-86 Big Twin 4-speed (33031-80)
6575	1980-84 Big Twin 5-speed (33031-82)
6576	1985-90 Big Twin 5-speed (33031-85)



14400

14404

14402

14403

14405

Blue Silicone Seals

Lathe cut and ground with perfect O.D. finish, exact with stands, heat, oil and gas.

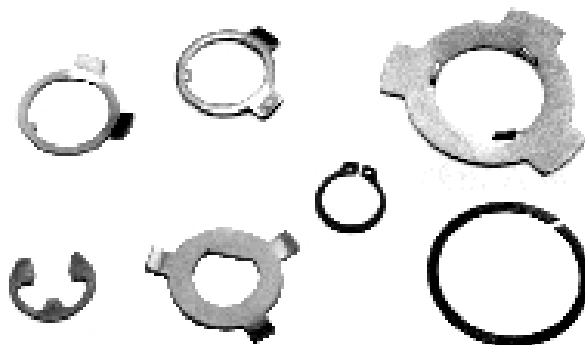
PCP	Item
14402	Rocker oil line (63529-57) (10 pk)
14403	Small push rod (17955-36) (10 pk)
14404	Large push rod (17955-48) (10 pk)
14405	Push rod set (4 large, 8 small)
14400	1978-84 Intake (red flat seal) (27062-78) (10 pk)



Pushrod Cover Cork-Seal Kits

Includes enough pieces to seal 4 complete pushrod covers on years listed. Available in cork, OEM-type Quad, or Buna-N machined rubber seals.

PCP	Type	Model/Year
25610	Cork	Big Twin 1948-79 Sportster 1957-79
25630	Quad	Big Twin 1979-84
25631	O-ring	As above
5317	Rubber	Big Twin 1948-79
5318	Rubber	Sportster 1957-79, Knuckle 1936-47



Transmission Hardware Kits

4-Speed Transmission lockwasher and snap ring kits for rebuilding Big Twins 1936-79.

13800	Kit (7 pieces)
-------	----------------

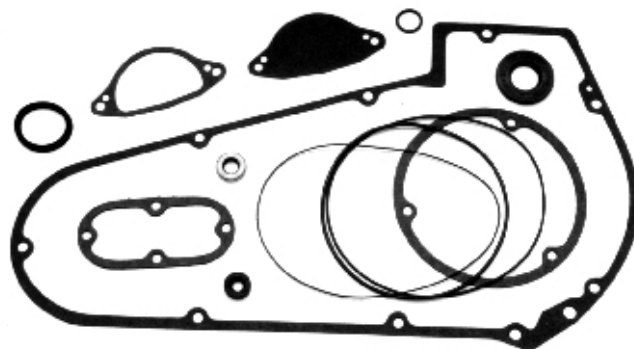


4483

74-80 Trans Hardware Kit

Includes all locks, springs, keys retraining rings & clips for all 4 speeds. All the hard to get small parts.

4482	1936-79 Ratchet top models
4483	1979-84 Rotary top models

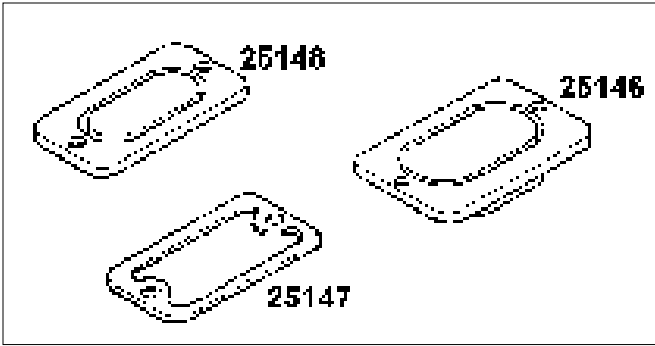


Chain Cover Repair Kit BT 1965-on

This kit contains all the necessary parts that are required when making inner primary repairs, primary chain service, clutch hub service, or left side transmission repairs. Kit also saves time in that one part number covers all necessary parts.

25890	1965-E82 4 speed
25891	L1982-84 4 speed
25892	1980-84 FLT-FXR 5 speed

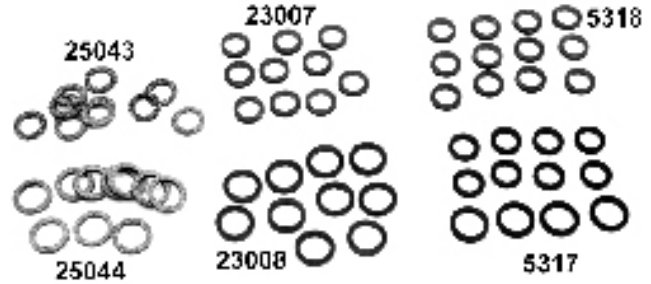
Preston Gaskets



Master Cylinder & Reservoir Top Gaskets

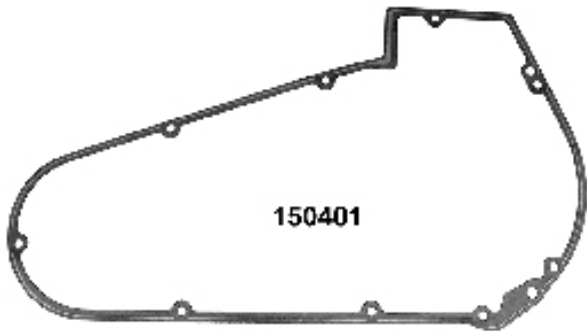
Front	Description
25147	Master cylinder 1972-81 (45012-72) (10 pk)
25148	Master cylinder 1982-84 (45455-80) (ea)

Rear	Description
25148	Master cylinder top 1979-81 (42455-80) (ea)
25142	Reservoir 1982-E87 (42455-82) (ea)
25146	Sportster 1985-on (45005-85) (ea)



Preston Push Rod Corks and Seals

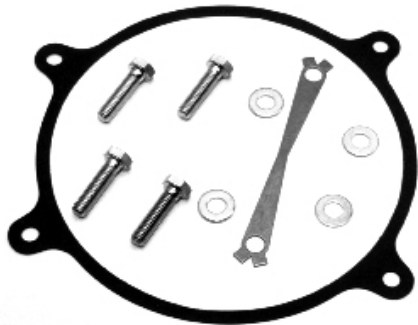
PCP	Description
25043	Small neoprene cork (17955-36) (10 pk)
25044	Large neoprene cork (17955-48) (10 pk)
23007	Small pushrod rubber seals (17955-36) (10 pk)
23008	Large pushrod rubber seals (17955-48A) (10 pk)
Machined rubber seals replace old style cork for improved sealing and longer life. Packed 12 per kit.	
5317	All Panhead, Shovelhead to 1979 (4 large, 8 small)
5318	XL 1957-79, Knucklehead 1936-47 (12 small)



Big Twin Silicone Beaded Gaskets

High Density material with silicone beading. (5 packs)

PCP	Description
150400	.032 Primary 8 hole 1965-85 (60540-65)
150401	.062 Primary 9 hole 1965-85 (60538-81A)



GB Inner Primary Repair Gasket Kit (4 Speed)

Includes gasket to replace o-ring seal when the lip of the motor is partially or entirely broken off. To avoid machining and welding, grind the partially broken lip smooth and install the gasket. Special locktab and bolts included.

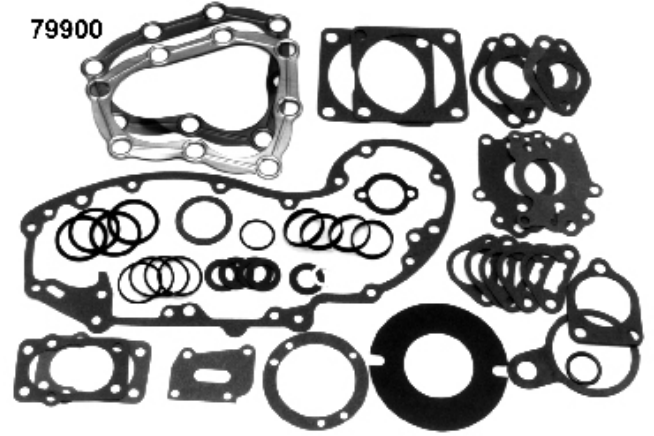
25157 1970-85

Genuine James Antique Gaskets



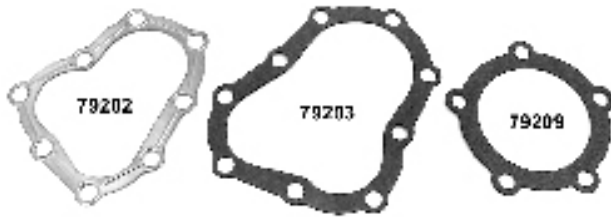
45 - Knuckle - SV (Top End Kits)

James	OEM	Description
79959	17031-40	45" 1940-73
79960	17033-36	Flathead 1936-48
79964	17034-38	Knucklehead 1941-47



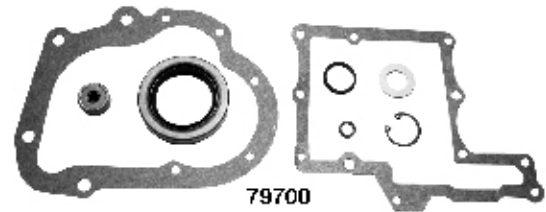
45 - Knuckle - SV, Motor Kit

James	OEM	Description
79900	17026-40	45 w/copper 1940-73
79914	17027-36	Flathead
79915	17028-36	Knucklehead 1936-47 w/blue teflon



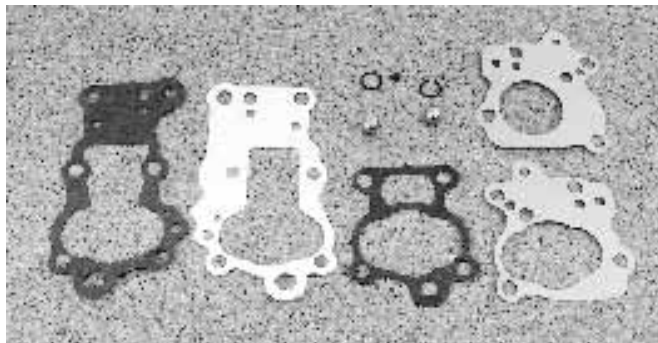
45 - Knuckle - SV (Head & Cylinder)

James	OEM	Description
79202	16768-39	Copper head type 45 (10 pk)
79203	16769-36	Teflon head 74", 80" ULH 1936-48 (5 pk)
79209	16770-36	.032 teflon head EL 1936-47 (5 pk)
79220	16774-21	Cylinder UL-EL, Knuckle, F/H 1936-47
79229	16775-29	Cylinder 45 Flathead motors 1929-73



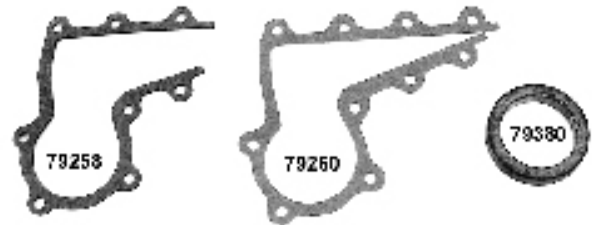
Transmission Gasket Kits 1941-73

James	OEM	Description
79700	33030-41	Set, W, WL, G, GE
79325	34825-41	Top cover, W, WL, G, GE
79326	34826-41	Side cover, W, WL, G, GE



Knuckle

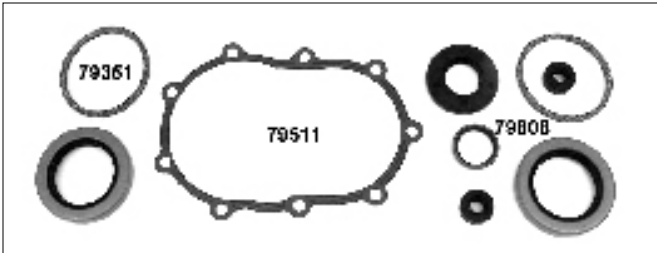
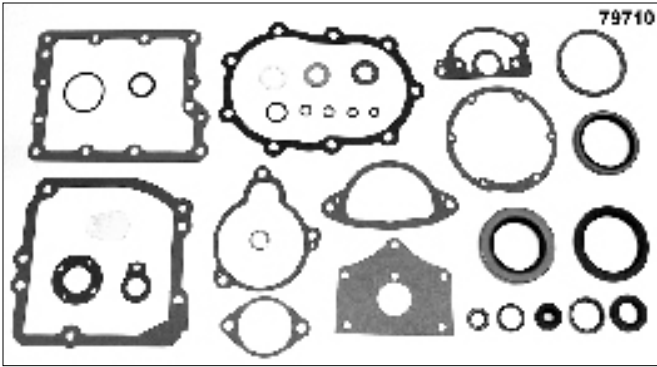
James	OEM	Description
79829	36FLH	Oil pump kit 1936-47 EL
79123	26245-41	Inner pump body 1941-67 EL-FL
79127	26255-41	Gasket, oil pump 1941-49 EL-FL
79130	26257-41	Gasket, oil pump 1941-50 EL-FL



Knuckle 1938-47

James	OEM	Description (10 pack unless noted)
79087	17475-38	Seal, rocker cover (5 pk)
79258	17535-38	Gasket, rocker arm cover
79260	17537-38	Gasket, rocker arm cover
79261	17539-38	Gasket, rocker arm cover
79268	17955-36	Small push rod cork 1936-79 (100pk)
79102	18632-36	Gasket, tappet Knucklehead
79379	43570-35	Small cork wheel washer BT 1936-66
79380	43571-35	Large cork washer BT 1936-66

James Antique Gaskets



Carb Gaskets

James	Description
79822	Linkert carb kit 1936-65
79129	Copper float bowl nut Linkert 1928-65 (27376-28) (10 pk)
79181	Gasket, manifold 45 & 80 S/V 1939-51 (27410-39) (10 pack)
79182	Gasket carburetor mount Linkert 1940-65 (27411-40)

Transmission Gaskets & Oil Seals

James	OEM	Description
79710	33031-70	Gasket set BT, FL 1936-86
79313	33295-36	Kick cover BT 1936-85
79511	33295-36-X	As above w/silicone
79317	34036-36	Seal, shift shaft
79323	34824-36	Trans top BT 1936-79
79351	35230-39-DL	Seal, main drive 1936-79
79808	35230-39-K	Trans seal kit BT 1935-E79
79352	35231-36	Main drive cork BT 1936-E79



45 Misc.

James	OEM	Description
79091	18198-38	Valve guide 1938-73 (20 pk)
79196	30138-30	Gasket, generator early EL, L, W, WG 1932-57 (10 pk)
79422	60540-36	Gasket, tin primary cork 61"-80" 1936-64
79425	60565-36	Gasket, derby cover 61"-80" 1936-64
79426	60567-36	Gasket, inspection cork 61"-80" 1936-64, XL 1958-69
79486	67141-36	Seal, gasket speedo drive FL 36-84
79828	Kit	Wheel gasket & cork 1936-on



45 - Knuckle - SV

James	OEM	Description
79091	18198-38	Valve guide 45" Flathead 1938-73 (20)
79092	18245-39	Seal, upper cork Flathead 74-80 1939-48
79100	18631-30	Gasket, tappet Flathead 1930-73
79286	25226-37-A	Cam gear cover 45" 1936-73
79287	25227-37	Cam gear cover 74 & 80 1937-48 S/V
79379	43570-35	Seal, wheel, small cork washer BT 1936-66
79380	43571-35	Seal, wheel, large cork washer BT 1936-66

James 45" Oil Pump Gasket Kit

79836 1937-73

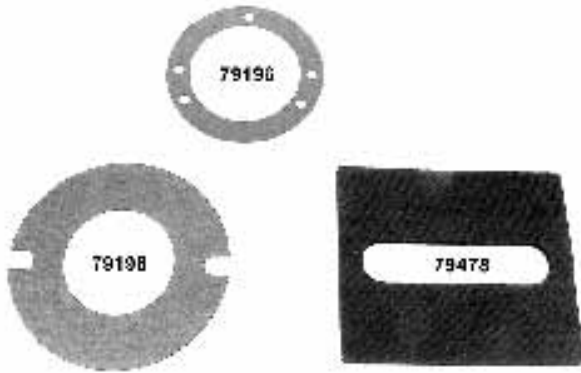
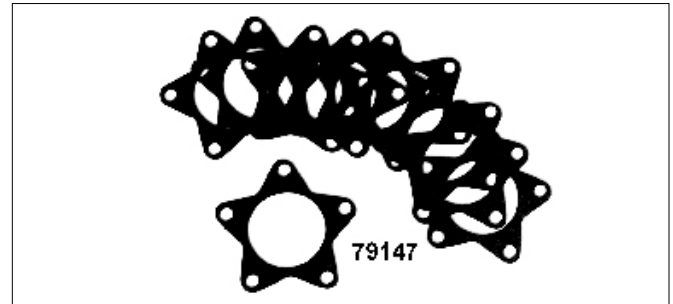
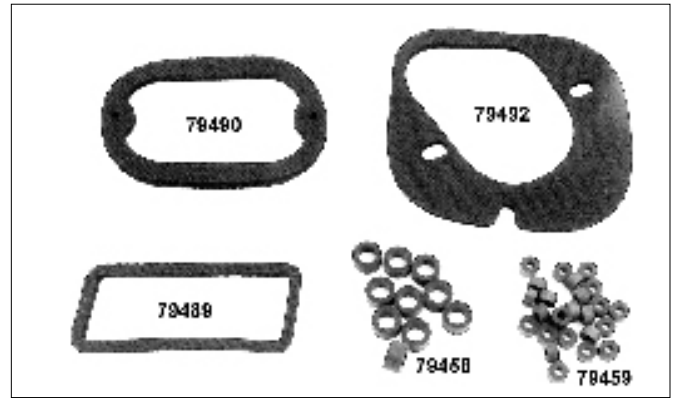
James Panhead Gaskets

NOTE: Most gaskets sold in 10 packs check U/M Pricelist.



Panhead Carb and Gas Tank Gaskets

James	OEM	Description
79822		Linkert carb kit 1936-65
79161	27060-55	O-ring, manifold 1955-78
79182	27411-40	Carb flange, Linkert 1940-65
79129	27376-28	Gasket, copper float bowl nut, Linkert 1928-65 (10 pk)
79174	27376-52	Gasket, linkert float bowl
79437	61114-48	Rubber, gas cap, large hole 1937-on
79445	62360-50	Seal, gas line FL 1950-65



Panhead Generator-Distributor Gaskets

James	OEM	Description
79116	25811-11	Fiber washer, generator/neutral switch BT 1952-85
79196	30138-30	Generator early BT 1932-57 (10 pk)
79198	30143-58	Generator FL 1958-69, XL 1958-83
79478	66100-52	Pad, battery top & bottom XL, K, KH 1952-64

Misc. Panhead Gaskets

James	OEM	Description
79147	43576-35	Star wheel cover 35-66 (10pk)
79458	63529-50	Seal, oil line (outside oil filter) XL 57-85
79459	63529-57	Seal, oil line (OHV oil line)
79464	63874-50	Washer, copper
79486	67141-36	Seal, gasket speedo drive BT 36-84
79449	62617-52	Gasket, oil tank cap
79455	62702-52	Washer, drain plug
79489	68121-55	Gasket, tail lamp clear lens 1955-72
79490	68122-55	Gasket, tail lamp red lens 1955-72
79492	68123-55	Gasket, tail lamp to fender 1955-72
79828		Wheel cork gasket kit 1936-66



Side Mount Oil Filter Rebuild Kit

Used on 1948-64 U, UL, EL, FL, FLH Panhead and Flathead models.

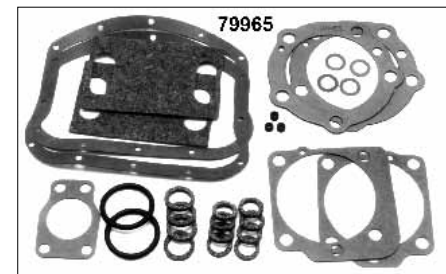
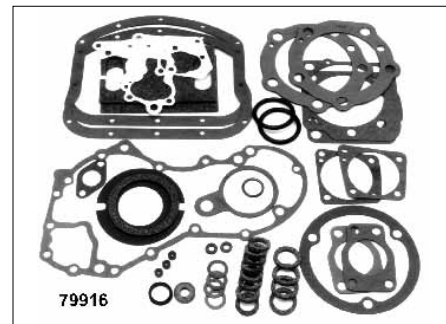
79442 63800-48-K

James Panhead Gaskets

NOTE: Most gaskets sold in 10 packs check U/M Pricelist.

Panhead

James	OEM	Description
79210	16770-48	Gasket, head blue teflon .032 1948-65
79211	16770-48-X	Gasket, head Pan .040 fire ring (pr)
79231	16776-48	Gasket, front cylinder 1948-62
79520	16776-48-X	Steel base w/silicone 1948-62
79232	16776-63	Gasket, front cylinder 1963-84
79521	16776-63-X	Steel base w/silicone 1963-83 (pair)
79233	16777-48	Gasket, rear cylinder 1948-62
79234	16777-63	Gasket, rear cylinder 1963-84
79916	17028-48	Gasket set, Panhead 1948-65
79965	17034-48	Gasket set, top end 48-65 w/blue teflon head gasket
79966	17034-48-X	Gasket set, top end 48-65 w/fire ring head gasket
79265	17541-48-A	Thick, rocker Panhead
79266	17541-48-B	Gasket, rocker Panhead thin paper
79267	17541-48-C	Gasket, rocker Panhead cork (5 pk)
79268	17955-36	Gasket, small pushrod cork 1936-79 (100pk)
79089	17955-36-A	Small rubber pushrod seal 1948-E79 (100 pk)
79104	17955-48	Gasket, large pushrod cork (100 pk)
79106	17955-48-FL	Pushrod cork kit 1948-E79 (4 large, 8 small)
79090	18196-51	Gasket, valve guide 1951-78 (20 pk)
79270	18633-48-A/C	Gasket, rear tappet guide 1948-91 .031
79273	18634-48-B	Gasket, front tappet guide 1948-91 .031
79278	25225-36-C	Gasket, gear cover BT 1948-69 (10 pk)
79582	25225-36-CX	As above, .020 paper w/bead (5 pk)
79409	47519-58	Seal, wheel / swingarm bearing 1958-83
79379	43570-35	Seal, wheel small cork washer BT 1935-66
79380	43571-35	Seal, wheel large cork washer BT 1935-66
79458	63529-50	Seal, gas line 1950-65
79459	63529-57	Seal, rocker oil line 1957-84 (25 pk)



Panhead Oil Pump Gaskets

James	OEM	Description
79123	26245-41	Oil pump BT 61 & 74 OHV 1941-67
79127	26255-41	Pump cover gasket EL-FL 1941-49
79130	26257-41	Oil pump cover OHV 1941-50
79115	26257-50-A	Gasket, oil pump BT 74 1950-67
79815	48FL	Oil pump kit BT 1948-67



Panhead Rocker Cover Gaskets

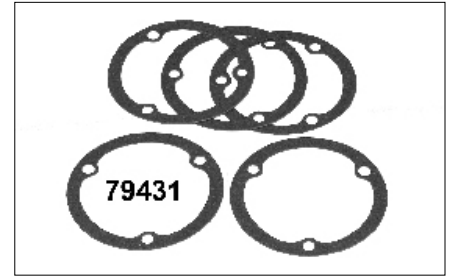
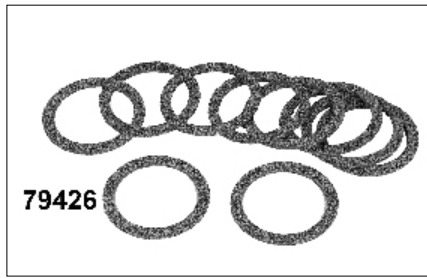
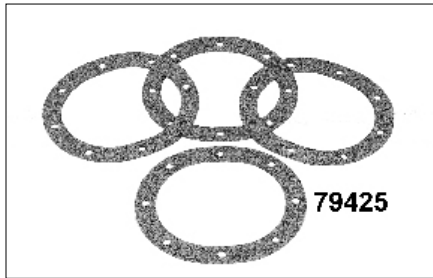
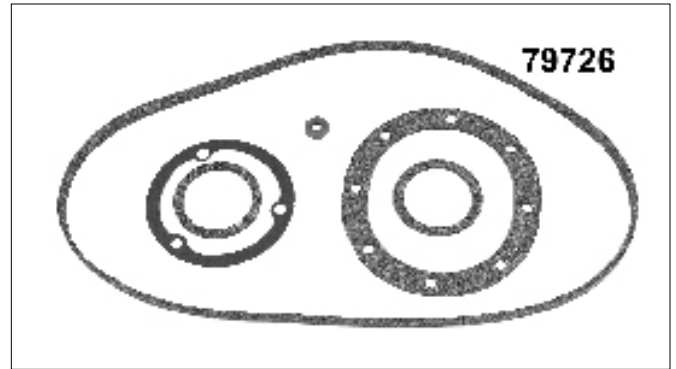
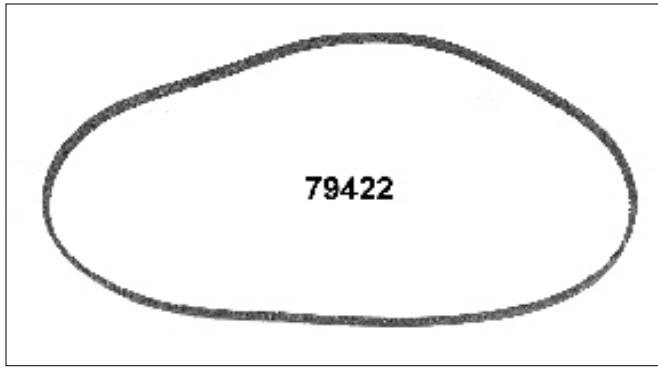
0.125" Rubber on steel gasket for all 1948-65 Panheads.
79269 17541-48-DL



Panhead Front Fork Gaskets

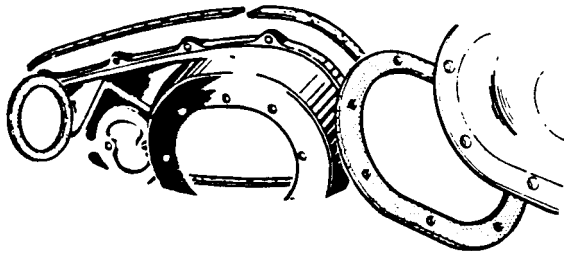
PCP	OEM	Description
79391	45733-48	Seal, front fork tube plug 1948-86
79800	45849-49	Fork gasket /seal kit FL 1949-E77
79396	45850-48	Seal, felt washer FL 1949-E77

James Antique Gaskets



Tin Primary (Knuckle-Pan-Flathead)					
James Brand	Preston Brand	OEM #	Year	Description	U/M
79422	25155*	60540-36	36-64	Outer primary, cork	10
79726		60540-36-K	36-64	Gasket & seal, primary	kit
	25611		36-54	Cork gaskets, (primary,inspection,derby)	kit
79425	25158	60565-36	36-64	Clutch derby cover, cork	10
79426		60567-36	36-64	Inspection cover, cork	10
79431		60629-55	55-64	Crankcase to inner primary, paper	10

* Sold each



Primary Gasket Kit

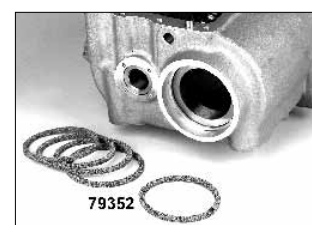
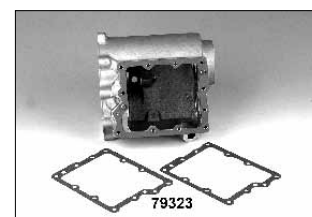
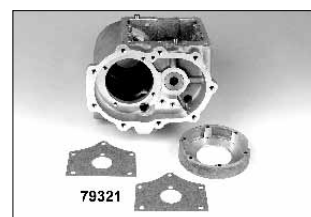
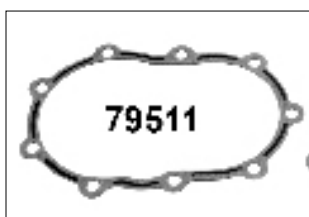
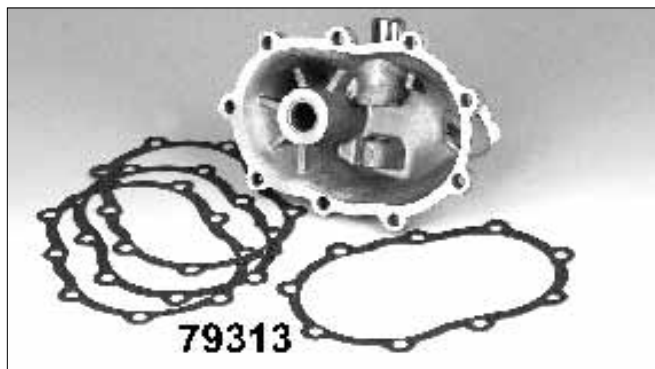
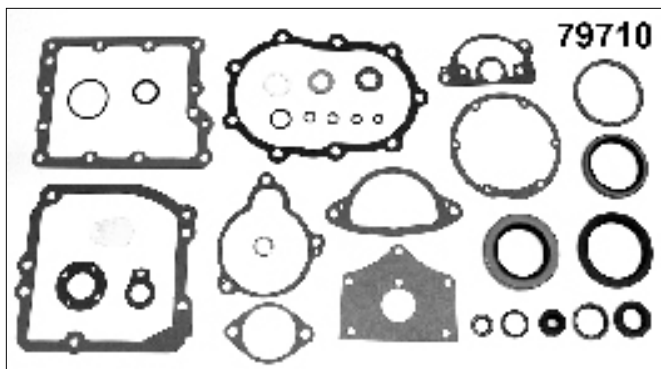
Includes 3 cork gaskets for 1936-64 Big Twin outer primary covers. Includes 60540-36, 60567-36 and 60565-36. 25611



James Antique Transmission Cover Gaskets

PCP	Year	Engine	Description
79192	1936-64	4 speed	Transmission countershaft cover plate gasket (10 pk)

James Antique Gaskets

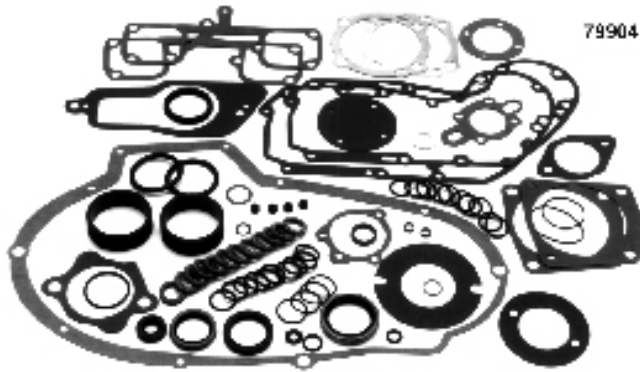


FL Transmission (Knuckle-Pan-Flathead)

James Brand	Preston Brand	OEM #	Year	Description	U/M
79710		33031-70	36-86	Gaskets & seals, hand or footshift	kit
	14038	33076-37	36-69	Seal, starter crank shaft	5
	25111	33196-79	79-86	Gasket, shift cover, paper	10
79313		33295-36	36-85	Gasket, kick cover	10
79511		33295-36-X	36-85	Gasket, kick cover, paper with beading	5
79317	14039	34036-36	36-79	Seal, shifter fork shaft	10
	14083	34459-26	26-73	Washer, leather, hand shift top cover	10
	25113	34552-52	52-E79	Gasket, shifter assembly	10
79321		34565-52	52-E79	Gasket, Shifter plate	10
79323		34824-36	36-E79	Gasket, top cover	10
	10312	35175-38	41-77	Key, main drive gear	10
79811	12604*	35211-36-DL	36-85	Super nut with double lip seal	kit
79812		35211-85-DL	36-85	Replacement double lip seal for above	5
	13727	35216-36	36-84	Lock tab, sprocket to main drive gear	10
79351		35230-39-DL	36-79	Oil seal kit, main drive gear to box, 4 pcs	kit
79808		35230-39-K	36-79	Oil seal kit, main drive gear	kit
79352		35231-36	36-E77	Cork washer, main drive oil seal	10
79609		35607-73-X	36-84	Plug, speedo drive hole, molded rubber on steel	ea
79192	25135	36025-36	36-64	Gasket, counter shaft end cover plate	10
79610		36025-36-X	36-64	Oil seal, counter shaft end cover plate with screws	kit
79486	25179	67141-36	36-84	Gasket, speedo drive hole	10

* Sold Each

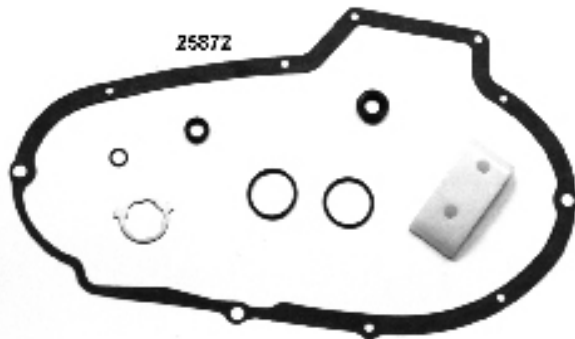
James Sportster Gasket Kits



James XL 1973-85 Top End Kit
79988

Ironhead Gasket Sets

- | | | |
|--------------|------------|---|
| 79902 | 17026-71 | Engine set 900cc 1957-71 with blue teflon |
| 79904 | 17026-73 | Engine set 1000 cc L1973-85 |
| 79950 | 17030-57 | Top end 900cc 1957-71with blue teflon |
| 79988 | 17030-72-A | Top end 1000cc L1973-85 |



Sportster Primary Gasket

James Application

- | | |
|--------------|--|
| 79341 | .062 XLH, XLCH 1952-69 (10pk) (34952-52-A) |
| 79342 | .020 XLH, XLCH 1967-76 (10pk) (34955-67) |
| 79343 | .030 XLH 1967-76 (34955-67-A) |
| 79344 | .030 1977-90 (10 pack) (34955-75) |

Sportster Primary Kit

Includes gaskets and small parts.

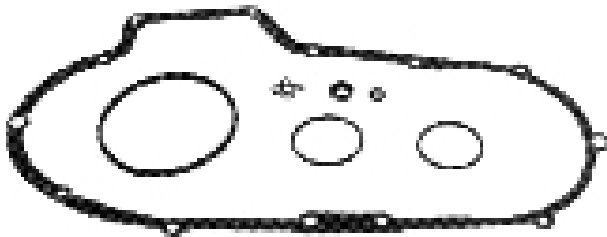
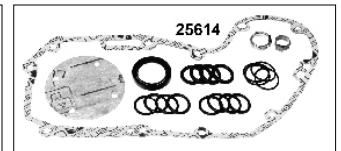
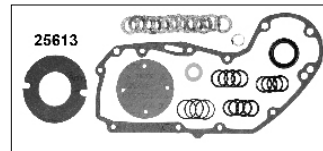
- | | |
|-----------------|---------------------------|
| PCP Fits | |
| 25870 | 1967-76 XLH, 1971-76 XLCH |
| 25871 | 1977-79 all models |
| 25872 | 1980-89 all models |

Quick Change Cam Gear Gasket and Seal Kit

Fits XL and Evo motors. Includes both cork and quad seals for pushrods to fit all year range.

PCP Application

- | | |
|--------------|---------|
| 25613 | 1957-81 |
| 25614 | 1982-85 |



James Sportster Chain Cover Gasket Kit

James Description

- | | |
|--------------|--|
| 79727 | 1977-90 (34955-75-K) |
| 79728 | 1977-90 w/silicone (5 pack) (34955-75-X) |



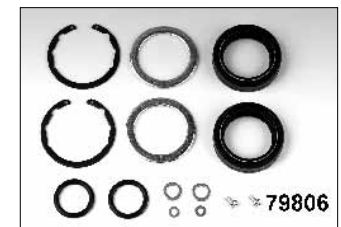
Fork Leg Components

- | | | |
|--------------|----------|-----------------------------------|
| 79384 | 45387-83 | 35mm seal FXR 1983-86 (ea) |
| 79387 | 45403-75 | Copper washer, fork leg |
| 79388 | 45406-75 | Copper washer, damper screw |
| 79408 | 46125-52 | Gasket, damper fork (paper) |
| 79391 | 45733-48 | Front tube plug washer FL 1948-86 |

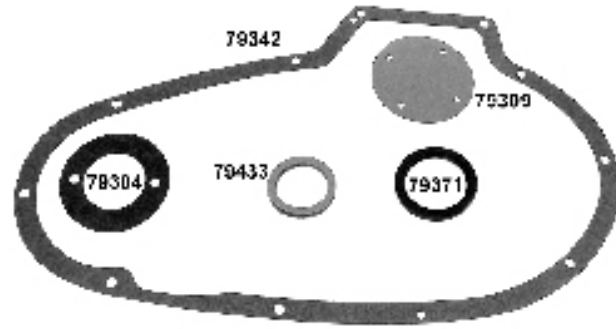
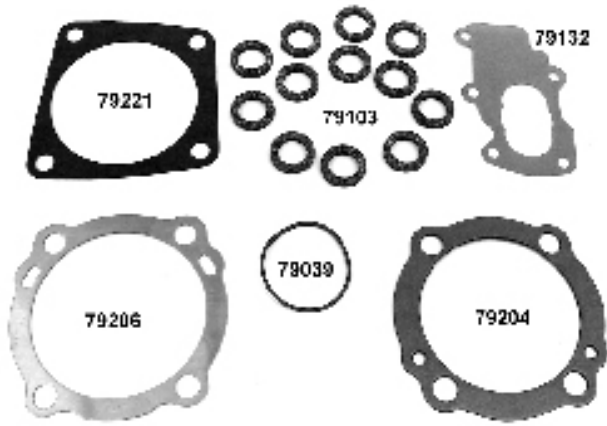


Fork Seal Kits

- | | |
|----------------------------|----------------------------|
| PCP OEM Description | |
| 79801 | 45849-71 1971-72 |
| 79802 | 45849-73 1973-74 (Kayaba) |
| 79803 | 45849-75 1975-83 (Showa) |
| 79806 | 45849-84-A 35mm XL 1984-87 |



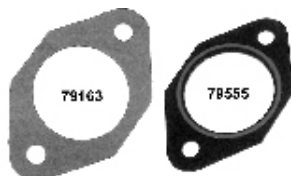
James Ironhead Gaskets



Sportster

PCP	OEM	Application
79002	11100	Tappet guide
79003	11101	Rocker arm 1957-85
79004	11101-X	Rocker arm, oversize 1957-85
79005	11101-XL	XL Pushrod oversize 1979-85
79006	11102	XLH 1966-69
79013	11114	Main drive
79020	11124	Cam shaft oil seals
79021	11124-DL	Cam double lip oil seal, 1971-03
79029	11139	Filler cap
79039	11165	Quad seals m/s bearing 1984-on
79041	11167A	Tappet
79042	11168	Tappet
79048	11178	Trans cap
79055	11241	Oil pump cover
79079	12049-DL	Trans sprocket 1984-on
79204	16769-57	Head blue teflon 900cc 1957-71
79205	16769-72-A	.032" Copper head 1972-E73
79206	16769-73	.016" Copper head 1000cc 1973-85
79207	16769-73-T	Teflon head 1973-85
79208	16769-82	.045 Copper head gasket 1982-85
79221	16774-57	Paper base 900cc 1957-71
79223	16774-72	Gasket, cylinder 1000 XL 1972-85
79259	17536-70	Gasket, XL rocker 1957-85
79262	17536-70-X	As above, .020 metal w/bead
79103	17955-36-XL	Cork pushrod kit 1957-79 (12 pc)
79276	25224-52-A	Gasket, gear cover, 1952-81
79292	25224-52-X	Cam cover with bead 1952-81
79128	26256-52	Gasket, oil pump 1952-76
79131	26258-52	Gasket, pump cover 1954-E62, 72-76
79132	26258-62	Gasket, pump cover plate L1962-71
79136	26259-52	Pump cover 1954-E62, XLH 1972-76
79137	26259-62	Oil pump cover to body L1962-71
79288	25263-81	Cam cover XL, XLS, XLX 1982-85
79151	26433-77	O-ring, check valve 1977-on
79154	26495-75	Gasket, oil pump 1977-90
79823	27006-76	Keihin carb kit 1976-86
79160	27023-71	Intake manifold 1955-69, XL 1971-78
79163	27077-78	Manifold to carb XL 1978-89
79555	27077-78-X	Manifold to carb w/silicone 1978-89
79161	27060-55	Manifold O-ring 1955-78
79193	29550-55	Gasket, magneto cap XLCH 1955-69
79195	29911-82	Seal, generator 1982-84

79301	31461-70	Gasket, starter plate XLCH 1970-80
79304	31488-77	Starter motor XLH 1977-80
25106	31488-81	Starter motor XL 1981-on (Preston)
79309	32591-80	4 Hole point cover 1980-99
79316	34305-52	Seal, shift shaft lever 1952-on (5 pk)
79322	34624-77	Gasket, stud boss 1977-on
79341	34952-52	Primary XL 1952-69 .062 (10 pk)
79342	34955-67	.020" primary XLH 1967-76, XL 70-76
79343	34955-67-A	Primary cover .030 thick
79344	34955-75	.030" primary XL/H 1977-90
79346	35150-52	Seal, main shaft retainer
79347	35151-52-A	Seal, engine & trans
79348	35151-74	Seal, sprocket
79350	35169-52	Transmission seal plate 1952-84
79370	37740-57	Seal, clutch hub
79371	37741-67	Seal, main drive (rubber O.D.)
79372	37741-67-A	Seal, main drive (metal O.D.)
79377	37762-52	Gasket, clutch cover XL 1952-79
79378	41210-55	Seal, wheel bearing (drum)
79385	45400-75	Seal, 35mm fork tube XL 75-83 (ea)
79400	45968-59	Rubber washer, fork large XL 59-70
79387	45403-75	Copper washer, fork leg
79388	45406-75	Copper washer, damper screw
79433	60645-65	Solendoid mounting XLH 1967-80
79443	62172-75	Fuel valve 1975-on (20 pk)
79451	62628-52	Gasket, oil tank 1952-66
79452	62628-66	Oil Cap 1966-79 XLH, 66-82 FL
79455	62702-52	Brass drain plug washer
79459	63529-57	Seal, oil line
79470	65781-82	Exhaust crossover tube ring 1982-on
79478	66100-52	Pad, battery top & bottom 1952-64
79494	68126-36	Gasket, lens K model 1952-55
79499	68521-63A	Turn Signal XLH 1963-85
79821	Kit	Bendix carb kit 1972-76

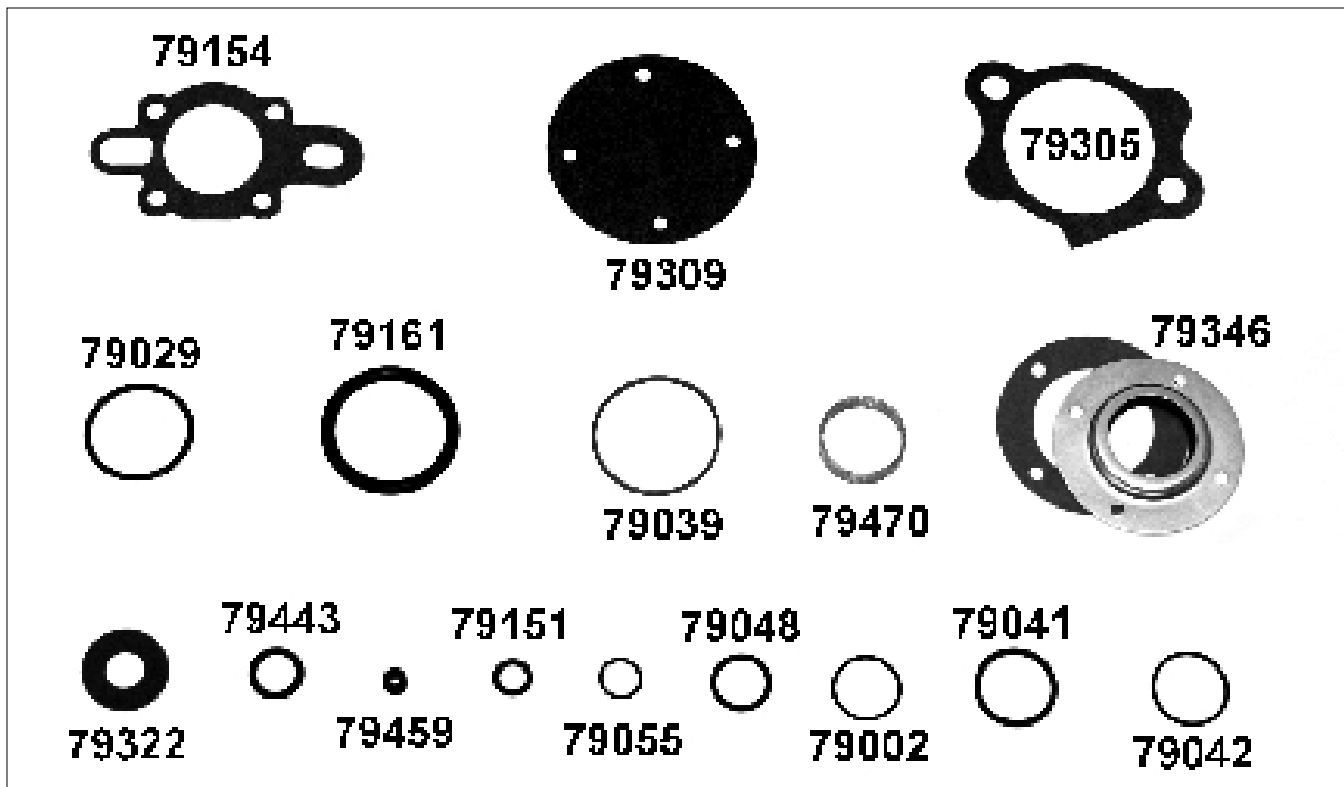


Oil Pump Gasket and Seal Kit

Use on 1977-90 1000 cc Sportster models.

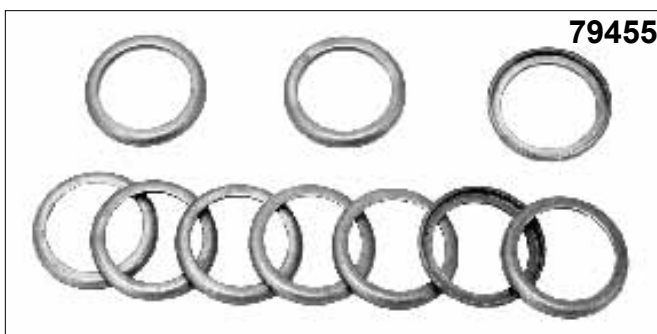
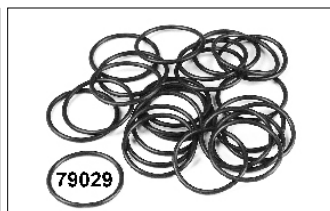
25605 5 Piece kit

James Ironhead Gaskets

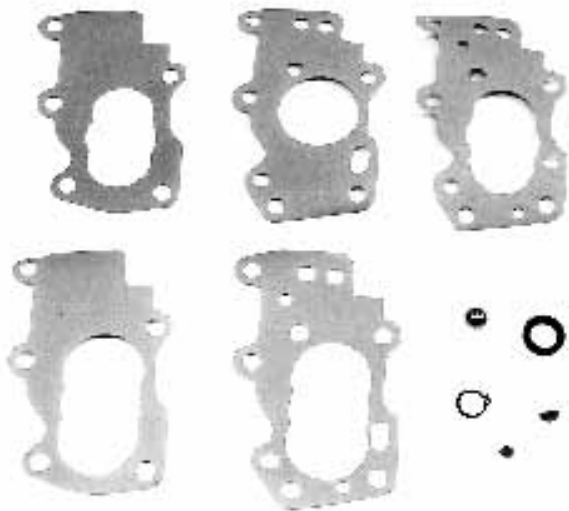


Sportster

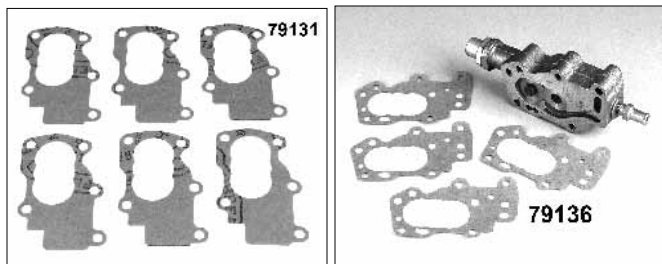
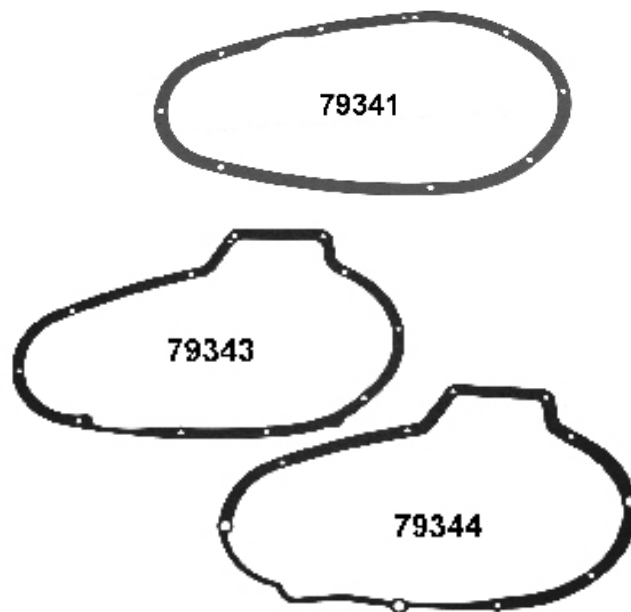
PCP	OEM	Application	PCP	OEM	Application
79002	11100	Tappet guide	79309	32591-80	4 hole point cover 1980-99
79013	11114	Main drive	79316	34305-52	Seal, shift shaft lever 1952-on
79020	11124	Cam shaft oil seals	79322	34624-77	Gasket, stud boss 1977-on
79021	11124-DL	Cam double lip oil seal	79346	35150-52	Seal, main shaft retainer
79029	11139	Filler cap	79347	35151-52-A	Seal, engine & trans
79039	11165	Quad seals m/s bearing 84-on	79348	35151-74	Seal, sprocket
79041	11167A	Tappet,	79370	37740-57	Seal, clutch hub
79042	11168	Tappet	79371	37741-67	Seal, main drive (rubber O.D.)
79048	11178	Trans cap	79372	37741-67-A	Seal, main drive (metal O.D.)
79055	11241	Oil pump cover	79378	41210-55	Seal, wheel bearing (drum)
79079	12049-DL	Trans sprocket 1984-on	79443	62172-75	Fuel valve 1975-on (20 pk)
79151	26433-77	O-ring, check valve 1977-on	79455	62702-52	Brass Drain Plug Washer
79154	26495-75	Gasket, oil pump 1977-90	79459	63529-57	Seal, oil line
79161	27060-55	Manifold O-ring 1955-on	79470	65781-82	Exhaust crossover tube ring 82-on



James Ironhead Gaskets



James Oil Pump Gasket and Seal Kit 1952-76
79813

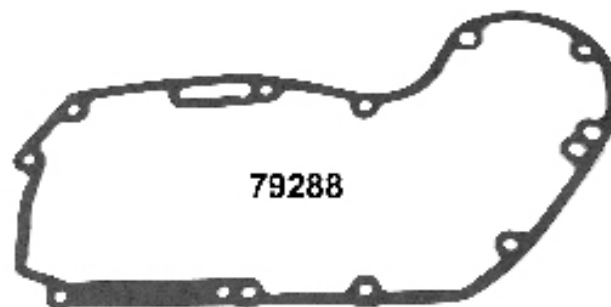
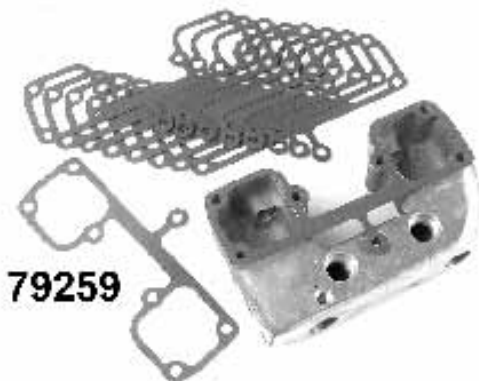


Sportster

PCP	OEM	Application
79341	34952-52	Primary XL 1952-69 .062 (10 pk)
79342	34955-67	.020" primary XLH 1967-76, XL 70-76
79343	34955-67-A	Primary cover .030 thick
79344	34955-75	.030" primary XL/H 1977-90

Sportster Oil Pump

PCP	OEM	Application
79128	26256-52	Gasket, oil pump 1952-76
79131	26258-52	Gasket, pump cover 1954-E62, 72-76
79132	26258-62	Gasket, pump cover plate L1962-71
79136	26259-52	Pump cover 1954-E62, XLH 1972-76
79137	26259-62	Oil pump cover to body L1962-71
79154	26495-75	Gasket, oil pump 1977-90



Sportster Rocker Gaskets

PCP	OEM	Application
79003	11101	Rocker arm 1957-85
79004	11101-X	Rocker arm, oversize 1957-85
79259	17536-70	Gasket, XL rocker 1957-85

Sportster Cam Gaskets

PCP	OEM	Application
79020	11124	Cam shaft oil seals
79021	11124-DL	Cam double lip oil seal, 1971-03
79276	25224-52-A	Gasket, gear cover, 1952-81
79288	25263-81	Cam cover XL, XLS, XLX 1982-85