

Section 14A

Brakes

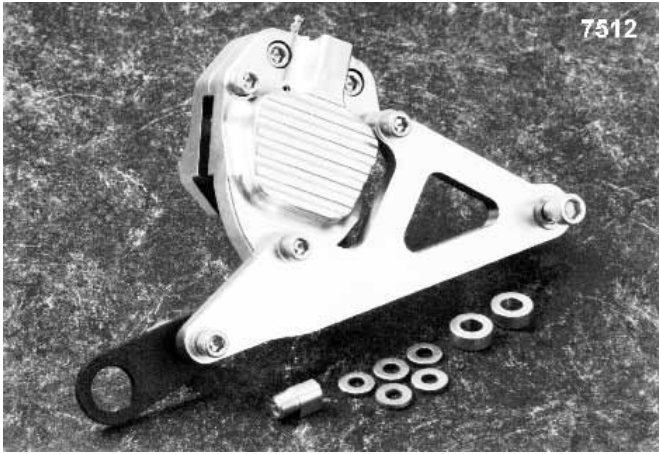
Brake

Pads	16-18
Calipers/Parts	2-12
FL Front Brake 1949-71	30
Forward Controls	27
GMA Brakes	2-6
Hoses	36-37
Hydraulic Brake 1958-72	32-35
Shoes 1949-on	31

Master Cylinder

Covers	21-22
Front	22-26
Rear	5, 19-20
Piston and Seal Kits	11
Russell	13
Rotors	6, 13-16
Steel Lines	40
Tees	40
XL Rear Brake	35, 38-39

GMA



GMA FX, XL Front Single Disc Caliper 74-77

A dramatic improvement over the original OEM brake. Fits front single disc FX and XL models 1974-E77. Contains all the necessary parts, including mounting hardware, spacers and bracket. Will require removal of the rotor from the hub and spacing the rotor for adequate caliper-to-spoke clearance. These spacers are included with the kit. A fitting is provided to adapt the stock brake line. Kit requires a 5/8" bore master cylinder. **Designed for 19" wheels only.**

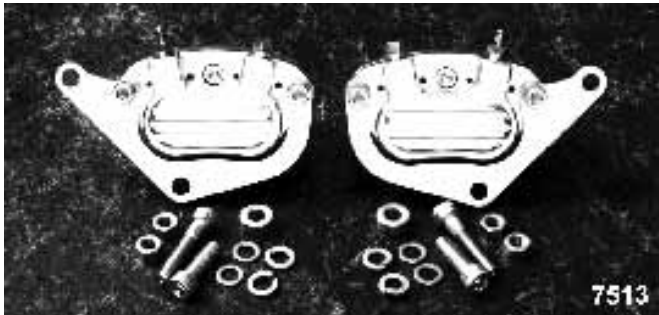
7512 (GMA 200E) "B"



GMA Caliper Front FLH 1973-E84 "A"

Fits Wide Glide front ends 1973-84. Includes all mounting hardware and bracket. A direct bolt-on replacement. Provides great stopping power for heavy wide-glide style bikes. Kit requires 5/8" bore master cylinder.

7501 (GMA FLH10)



GMA 4 Piston Caliper "F" Front 1977-83

This kit uses 2 GMA model F, four piston calipers. Included are the necessary mounting brackets and hardware. A direct bolt-on replacement for the dual disc front ends. Fittings are provided to use the stock HD brake lines. Increases stopping power and eliminates the rattle experienced with stock calipers. Front dual disc from late 1977-83 FX, FXWG and XL models. 19" wheels only. Spoke wire wheels may require some modifications. Kit requires 3/4" bore master cylinder.

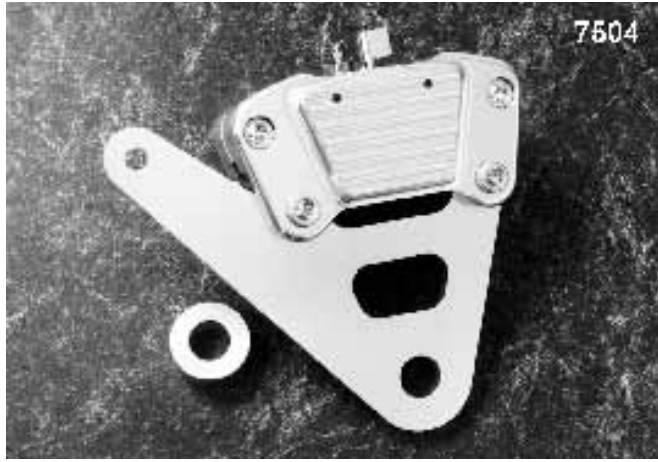
7513 (GMA 400)



GMA Model B Only Caliper for 200 Series

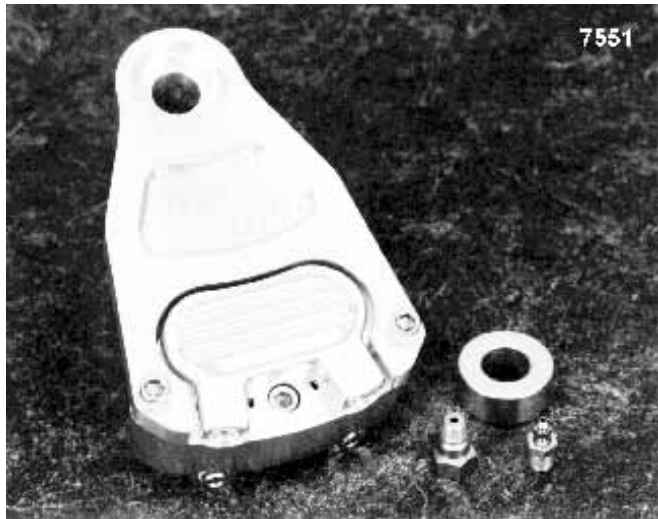
7581

- Advisory from GMA Inc.
- The GMA brakes have to be used with the right size master cylinder otherwise problems will occur with pistons sticking and not retracting.
- All single disc applications require a 5/8" bore master cylinder. Dual disc applications require a 3/4" bore master cylinder.



GMA Caliper BT Rear 1973-80 "A"

Fits all 4-speed, square swing arms with 10" rotor, from 1973-80. Hardware, machined aluminum bracket, fitting and axle spacer are included. Axle spacer fits between bracket counter-bore and swing arm. Kit requires 5/8" bore master cylinder.
7502 (GMA 100)



GMA Caliper BT Rear 1981-84 "A"

Fits all 4-speed, square swing arms with 11.5" rotor, from 1981-84. Hardware, machined aluminum bracket, fitting, and axle spacer are included. Will not fit FLT/FXR models. Kit requires 5/8" bore master cylinder. Rotors available:
 PC# 7571(GMA R79-F)
7503 (GMA 115)

GMA Rigid Frame Caliper 1936-on

Fits all rigid frames with rear 10" rotor. Includes correct axle spacer, anti-rotation anchor arm, mounting bracket and hardware. Great with 1936 and on original HD frames and after-market rigid frames. Kit requires 5/8" bore master cylinder.

- 7504** (GMA R10) "A"
- 7551** (GMA R10 Q) 4 piston design "F"
- 7555** (GMA R10 QC) 4 piston design (chromed) "F"

**Dual
Piston**

GMA R10 QC (Rear)

Fits Rigid frames 1936-99.
7555 With 3/4" axle



TECH TIP: "Brake Lines and Fittings"
 GMA brake kits are designed to use the stock factory brake lines and fittings. All GMA calipers are drilled and tapped 1/8-27 NPT and the correct brake line adapter fittings are included for a no hassle fit.



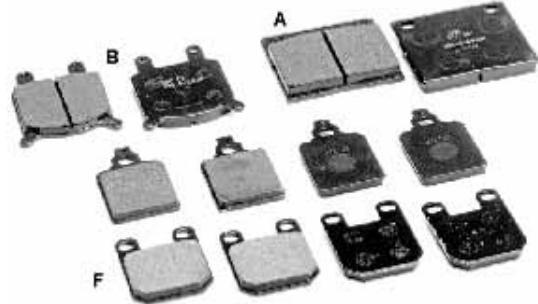
7580

GMA Model A Caliper only for 100 Series
7580



7582

GMA Model F Caliper Only for 400F Series
7582



Replacement Parts Model A

PCP	GMA	Description
7518	PA1	Piston rebuild kit
7517	RB1	O-ring rebuild kit
7516	A	Brake pads

Replacement Parts Model B

PCP	GMA	Description
7533	PA2	Piston rebuild kit
7517	RB1	O-ring rebuild kit
7515	B	Brake pads

Replacement Parts Model F

PCP	GMA	Description
7531	PA4	Piston rebuild kit
7532	RB4	O-ring rebuild kit
7530	F	Brake pads



Tech Tip: Bleeding Problems
 This is the single, most common, tech problem. Small motorcycle brakes with multi pistons are difficult to bleed - especially on rear applications where the caliper is higher than the master cylinder. The use of an EZE-bleeder (an inexpensive syringe type bleeding tool that will eliminate all the problems) is recommended.



GMA Rear Caliper and Imported Rotor Kits

These dual piston calipers are machined from billet aluminum, clear anodized for outstanding performance and trouble-free service. We have added a steel drilled disc rotor to complete the kit. Includes caliper assembly, rotor, hanger bracket, and hardware.

90121 FL and FX 1981-84 (not FXR or FLT). 11-1/2" rotor
 Note: GMA recommends the use of a 5/8" master cylinder



7511



46720

GMA Master Cylinders

CNC machined from heat treated aircraft billet aluminum. Designed to work with dual piston calipers the master cylinders 5/8" diameter piston produces more hydraulic pressure than stock—resulting in increased stopping power.

7510 Fits Big Twins 1958-79 (Wagner bolt pattern)

7511 Fits Big Twins 1980-84 (Kelsey-Hayes bolt pattern)

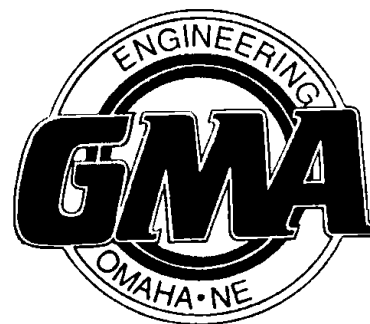
2559 Rebuild Kit for above (prior to Feb-98) (MCRBI)

7599 As above for master cylinders Mar-98 on (MCRBP)

GMA Billet Master Cylinder Reservoir

Replaces original plastic unit on 1982-on (41800-81A). Includes billet top, rubber gasket, fitting and mounting hardware. Fits FXSB 1983-84, FXR 1982-94, FLHS-80 1983, and FXE-80 1984.

46720



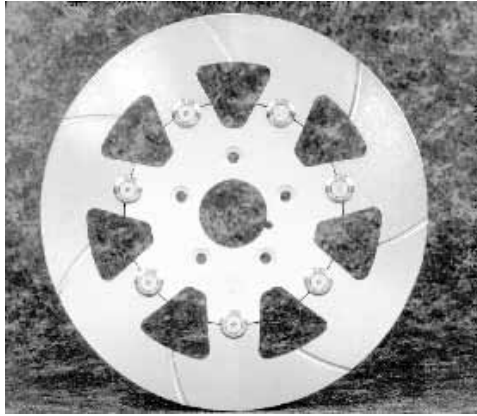
■ Tech Tip "Rear Master Cylinder"

■ This falls into two categories:

■ 1: 1973-mid 1984-These models use a 3/4" diameter bore master cylinder and will not function correctly with GMA multi-piston calipers. The bore is too large and will not create sufficient pressure. We have learned from years of testing that it is absolutely necessary to use a 5/8" diameter master cylinder on all of these models.

■ 2: 1984-present-The factory rear master cylinder is a 5/8" bore and will function correctly with GMA rear brake calipers.

GMA Rotors



G.M.A. 11 1/2" Floating & 2 Piece Disc Rotors

These cast iron rotors are supplied with polished aluminum centres. Front rotors are floating and rear rotors are of a 2 piece design. Stock and 2 piston calipers use the same rotor, 4 piston calipers require a special GMA rotor.

Note: these rotors should not be polished or chromed

PCP	Fits	Caliper	Mt. Bolts
7572	Rear 1981-94 FXR	4 piston	24011

GMA Rear 11.5" Rotor

XL 1979-99

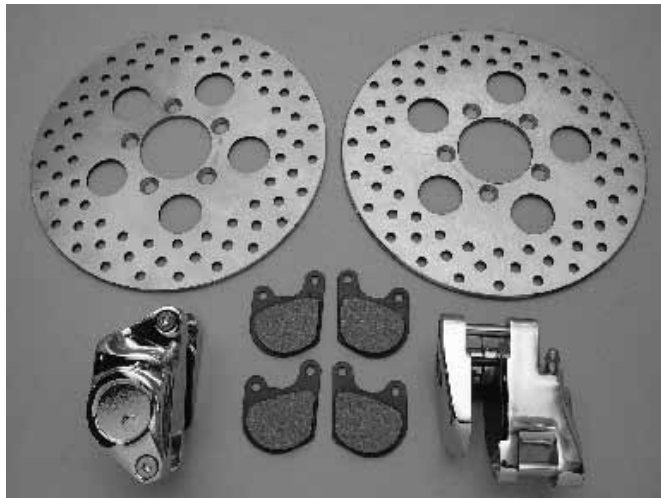
7585 (R79SPT)



GMA Rear 11.5" Rotor

all FX 1979-99

7583 (R79)

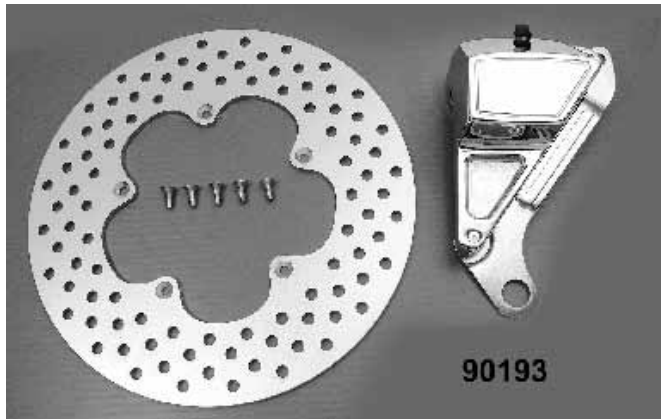


1977-83 XL-FX Chrome Caliper and Rotor Set

Dual disc set includes 2 chrome calipers and 2 10" drilled rotors. (not GMA)

90237 Polished stainless steel

90238 Stainless steel



1974-77 Drilled Rotor and Caliper (Not GMA)

PCP Finish

90193 1974-77 FX Zinc

90194 1974-77 FX Chrome polished

GMA Rotor for 4 Piston FX 1979-99

7584 For use with GMA 4 piston caliper (R79Q)

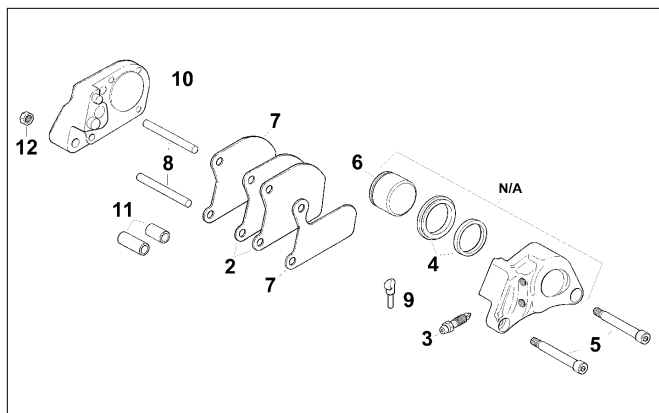


Note: Warranty Exception (GMA)

Do not use pads that are semi-metallic on these rotors. Use only organic pads such as SBS-RQ compound or Vesrah Kevlar green pads. Other brands of organic pads are also acceptable.

GMA does not recommend polishing or chrome plating brake rotors. Warranty is void when rotors are polished or chrome plated

Calipers



XL Rear Caliper Parts 1979-81

#	PCP	Description
1	N/A	Polished caliper assembly (44178-77)
2	879	Preston pad set (43395-80)
	46912	As above, SBS
	46957	As above, EBC
3	4314	Bleeder (44048-83) (5 pk)
4	2978	Seal kit (44152-77, 44180-77)
5	3354	Screw set (44175-77, 44176-77)
6	46107	Caliper piston (44181-77A)
7	46111	Inner plate & outer plate (44182-77, 44185-77)
8	10152	Caliper pins (10 pk) (44186-77)
9	23058	Rubber bumper (44199-79) (pair)
10	46020	Inner caliper (44187-77)
11	18708	Bushing, caliper bolt set (44192-77, 44193-77)
12	20103	XL Caliper lock nut (7740) (10 pack)



FLT Front Caliper Hardware 1980-83

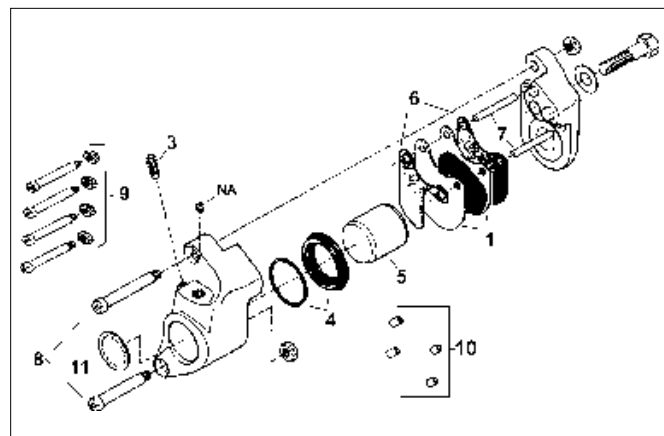
PCP	Description
N/A	Complete left caliper stock finish (43951-79)
N/A	Complete right caliper stock finish (43942-79)
3354	Screw set (44175-77, 44176-77)
46111	Outer and inner plate set 1980-83 (44182/5-77)
10152	Pin 1979-81 (44186-77) (10 pack)
18716	Slider steel bushing (45862-79) (ea)



Front Dual Disc Calipers

A set of complete brake caliper units for all models with dual disc front ends 1977-83 (except FLT). These models include the XLCR 1977-78; XL 1979-83 and FX 1977-83. Each caliper is complete with brake pads and caliper pins.

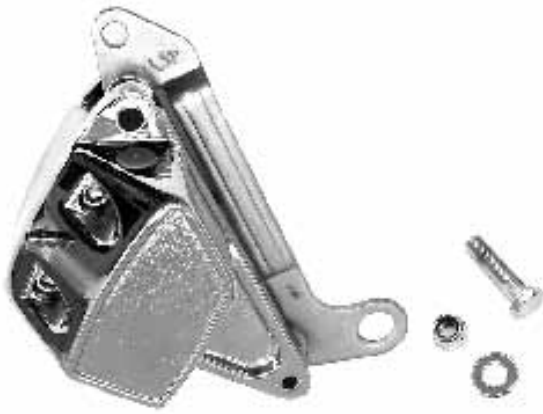
PCP	Fitment
46754	Right black (44195-80)
46766	As above, chrome
46755	Left black (44121-80)
46767	As above chrome
46756	Black set (R & L)
46757	Chrome set (R & L)



Dual Disc Caliper Hardware 1977-83

#	PCP	Description
1	46902	SBS Pad set (4 pcs) (44098-77)
	46956	As above EBC (2 pcs)
	878	Preston, as above (4 pcs)
3	4314	Bleeder fitting (44048-83) (5 pack)
4	2196	Piston seal (44151-77, 44153-77) (kit)
5	4815	Piston 1978-83, FXWG 1980-83 (44157-77)
	29036	T/L, as above
6	46113	Inner plate and outer plate (44161-77, 44158-77)
7	10150	Pin (44162-77) (10 pack)
8	3354	Screw (44174-77) (pair)
9	4568	4 bolt and 4 nuts (44173-77, 44174-77)
10	3791	Mount bushing set FX (46018-77, 46019-77)
11	44054	Chrome insert, front

Calipers



Chrome Single Disc Front Caliper XL, FX 74-77

Caliper assembly features stock type construction with pistons installed. Each assembly includes zinc plated brackets and hardware. Fits 11.5" rotor on stock 35mm forks.

- 46762 Black
- 46764 Chrome



Black Rear Caliper BT 1973-80

53034 Made in Japan (44105-72)



FX-XL Chrome Dual Disc Calipers 1977-83

46779



Chrome Dual Action Rear Caliper Kit

Kits fit 1973-82 FX-FL models and feature twin pistons and an internal crossover passage which feeds brake fluid to a second piston within the inside caliper half. Kit includes a 11-1/2" stainless steel rotor, chrome bolts, chrome anchor arm, and a machined chromed alloy "Y" bracket.

- 90169 Complete kit
- 46038 Caliper rebuild kit 1981-82



Chrome Brake Caliper Inserts

Easy to install inserts include double face tape and are sold each.

PCP	Diam.	Application
44053	1.47"	1982-E87 Girling rear XL-FXR
44054	1.40"	1977-83 Front dual disc, 1972-84 rear banana and 1977-81 rear XL



Caliper Conversion Kit

Converts 1973-82 FL-FX models to allow the use of a 11-1/2" rotor. Kit includes late style caliper mounting bracket, black painted caliper assembly and a drilled 11-1/2" rotor. Conversion will eliminate caliper rattle and chatter.

- 90171 Kit with 11-1/2" steel drilled rotor
- 90172 Kit with 11-1/2" stainless drilled rotor



1974-77 Front Caliper Service Fix Kit

Kit includes seals, spring, pins and bleeder screw.
46035

Calipers



Chrome Caliper Bracket FLH-FXE 1973-80

This caliper bracket accepts 1981-82 caliper.

59094 10"

59095 11-1/2" custom, allows use of 11.5" rotor

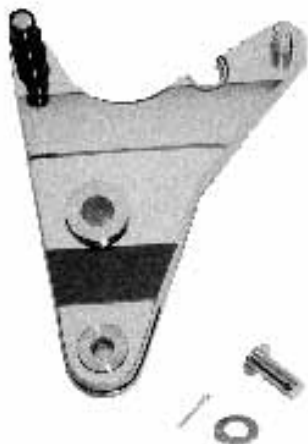


Caliper Support Bar Bolt Kit

Secures bar to caliper bracket and swing arm on 1973-85 FX-FL models.

9106 Chrome kit

9107 Cad kit

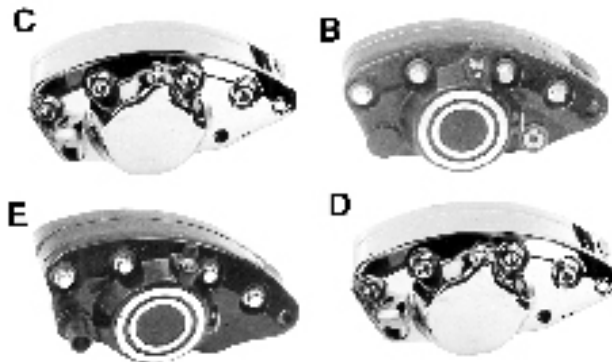


"Y" Caliper Rear Mounting Bracket 1973-83

These "Y" style brackets improve rear caliper stability and decrease bushing wear by means of front and rear supporting positions.

74005 Polished 11 1/2" bracket for FL 1981-84, FX 1981-82, FXE 1983 (44015-81)

74006 As above 11 1/2", chromed



Caliper Assemblies

Calipers are fully assembled and include disc pads and all internals.

PCP	Application	Finish
53034	(D) Rear FL, FX 1973-80 (44105-72)	Black
53030	(B) Front FL 1973-84 (44006-80B)	Black
53035	(B) As above, USA	Black
53031	(C) Front FL 1973-82 (44104-72A)	Chrome
2579	(B) Rear FL, FX 1973-80 (44008-80B)	Black
53000	(C) Rear FL, FX 1973-80 (44008-80C)	Chrome
53002	(D) Rear FX 1981-82 dual piston for 11" (44011-81)	Chrome
46038	Rebuild kit for #53002	
3346	(E) Rear FX 1981-82 (44011-81)	Black
53009	(E) Rear FX 1981-82 (44011-81)	Chrome



Chrome FX-FXE Brake Control Kit

This kit replaces the mid style transmission mount found on 1972-85 Superglide. Kit includes parts pictured. Master cylinder is not included.

PCP	Application
59072	1972-79 Wagner type
59073	L1979-82 Kelsey Hayes type
59074	1982-85 Remote type



Brake Rebuild Kit

Kit includes all pieces pictured to fit 1973-80 banana rear calipers. One feature of this kit is a large ground pin that repairs elongated mount hole in body.

59093

Caliper Parts



Rear Caliper Kit

Features complete caliper, support bracket & drilled offset 10" disc (as pictured). Fits all 1973-80 FX-FL.

90123 w/Chrome caliper

6313 w/Black caliper



Caliper Mount Bracket and Anchor Arm

Chrome caliper mounting bracket fits all Big Twin 1973-E80. This piece restores correct rotor to caliper alignment, reducing wear.

PCP Description

2273 Chrome bracket BT 1973-E80 (44166-73)

27199 Rigid caliper mount bracket

2045 Chrome arm fits all FL and FX 1973-83 (44154-73)

27185 Chrome tubular anchor arm with 6 5/8" centre to centre mounting holes. FXWG 1983-85 and FXSB 1983-86 (41039-82)

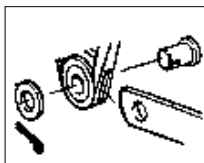
2274 Chrome caliper stabilizer spring (41680-83T)

9106 Chrome caliper support bolts FX, FL 1973-85

Rear Brake Caliper Anchor Kit

This kit includes the clevis pin, washer and cotter pin. Kit anchors the rear brake caliper bracket on the Harley FX 1981-82 and FXE 1983-84 (OEM 520W, 6718, 40918-81).

2172



Louvered Caliper Cover

Fits front FL 1972-84 and rear BT 1973-80.

3150

Caliper Cover

Easily attaches to the front disc brake caliper on 1972-84 74s & 80s and rear disc caliper on 1973-80 74s & 80s. Chrome plated.

443



Oversized Caliper Mounting Pin Rebuild Kit

The kit replaces stock mounting pins by boring caliper holes oversize. This will give longer life of caliper housing before replacement. Complete kit with instructions.

1264 1973-84

Caliper Mounting Pin

A large brake caliper mounting pin for FL 1972-80 front and rear, and FX 1972-80. Replaces 44107-72.

3352



3358

24010

Caliper Mounting Screw Sets

These chrome plated screw sets contain 4 screws and washers. Available with 12 point or allen head. Fits rear calipers on FX models 1973-1982, 1983 FXE, FL models 1973-1980 and front calipers on FL models 1972-1984, 1973 FX and XL. Replaces OEM 44134-72A and 44132-72.

3358 12 point

24010 Allen head

72088 Polished allen head with washers, Colony

Caliper Parts



Brake Caliper Pistons

These front and rear caliper pistons are top quality replacements.

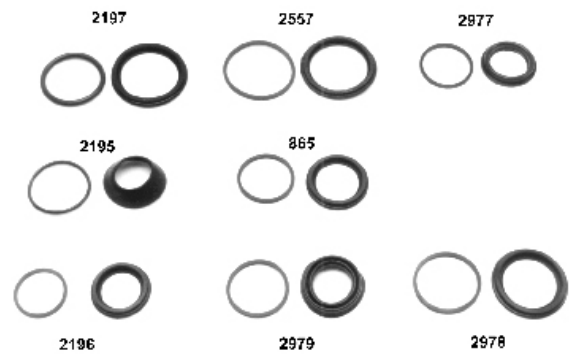
Front Caliper Pistons

PCP	Fits
2293	FL 1973-E80 (44109-72A)
2295	FL L1980-84 (44118-80)
2296	FX & XL's 1974-77 (44275-74)
4815	FX & XL 1978-83 (44157-77)
3364	FLT 1980-82 (43946-79)
46107	FLT 1983 only (44181-77A)

Rear Caliper Pistons

2292	FL & FX models 1973-E80 (44129-73)
3364	FLT/FLHT 1980-85 (43946-79)
2295	FL models L1980-84, FX L1980-82, and 1983 FXE (44118-80)
46107	XL 1979-81 (44181-77A)
4816	1983 FXSB, FXR 1982-on, FXWG 1983-86 and XL 1982-E87 (44208-82)

Note: 1980-85 FLT calipers use 2 pistons



Caliper Seal Kits

These kits include seal and dust boot.

PCP	Fits
2196	Front dual disc calipers on XL 1979-83 and FX 1978-83. Kit for one caliper (44151/3-77)
2197	Rear caliper on FX 1973-E80, front & rear caliper on FL 1972-E80, front XL 1973 (44127-72A, 44133-72)
46104	Front FLH 1980-84 (44007-80L, 44133-72)
14569	O-ring only for above (44127-72A) (5 pack)
2195	Front caliper on FX and XL 1974-77 (44277/8-74)
2557	Front caliper on FL L1980-84, rear caliper on FX L1980-83, FXE 1983 and FL L1980. (44007-80, 44133-72)
2977	Front calipers XL 1984-86 (44047-83, 44022-83)
2979	Rear calipers on Sportster® and FXR 1982-E87, FXWG 1983-86, and 4 speed FX 1984-E87. Note: Seal kit only was not available OEM. This 2 piece kit fits OEM 44208-82 caliper piston.
2978	Rear caliper XL 1979-81 (44152-77, 44180-77)
865	FL/FLHT, FLT 1980-85 with dual piston caliper. Includes one each of 43945-79 & 43947-79. 2 required per caliper.



Rear Caliper Bushing XL 1979-81
18636 45861-79 (each)



Colony Front or Rear Caliper Mounting Kit

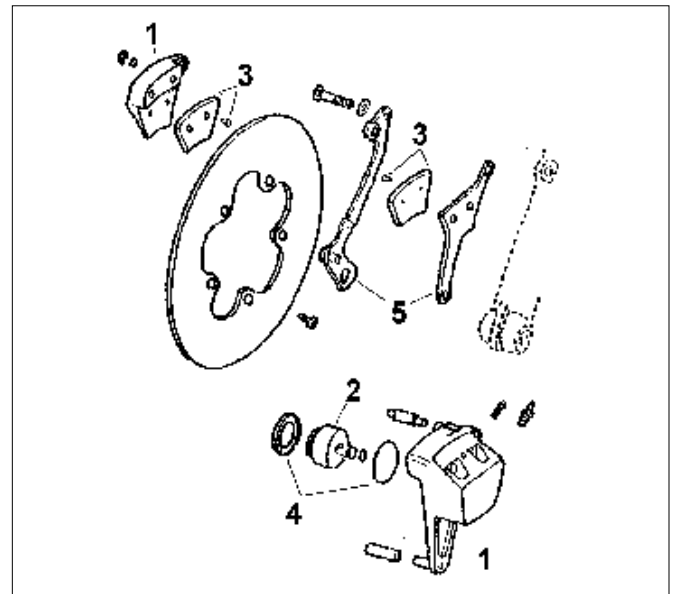
Chrome plated polished allen bolts and washers to mount BT 1973-80 rear brake caliper or all BT 1972-80 front calipers.

72088 Replaces 44134-72A and 44132-72



Rear Caliper Brackets 1982-E87

PCP	Application
27250	FXR 1982-E87 (44205-82)



FX, XL 1974-77 Single Caliper Pieces

#	PCP	Description
1	46762	Complete black caliper assembly
2	2296	Piston (44275-74)
3	873	Pad set (44281-74)
4	2195	Caliper seal kit (44277-74 & 44278-74)
5	27200	Anchor arm and plate (44272-74 & 44276-74)

Caliper Parts



Caliper Mounting Stud Kit for Harley

Includes brake pad pins, mounting bracket steel pin bushings, mounting stud, locknut and washer for Harley and PC, large banana style calipers 1973-1980.

PCP Description

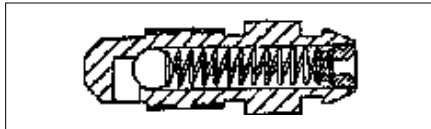
- 1214** Kits sold each as pictured (44331-73)
- 1263** Pins BT 72-80 rear, FLH 72-80 fr. (44124-72) (10 pk)
- 2097** One large steel pin bushing only (45821-75)
- 2096** One small steel pin bushing only (45822-74)
- 3347** Bleeder screw repair kit 1972-on
- 4315** Universal bleeder screw dust boot (10 pk)
- 4314** Late bleeder screw dual disc and late XL rear calipers (44048-83) (5 pk)
- 2274** Chrome caliper stabilizer (41680-83T)



Double Line Banjo Bolt

Use this banjo bolt for your dual caliper applications and eliminate the need for "T" fittings. The banjo allows lines to be run directly from caliper to master cylinder on front dual disc models; or to link two rear calipers together. Fits most front dual disc master cylinders, rear calipers and rear master cylinders 1982-on with 3/8"-24 thread.

- 24024** Chrome (each)



Russell Brake Bleeder Valve

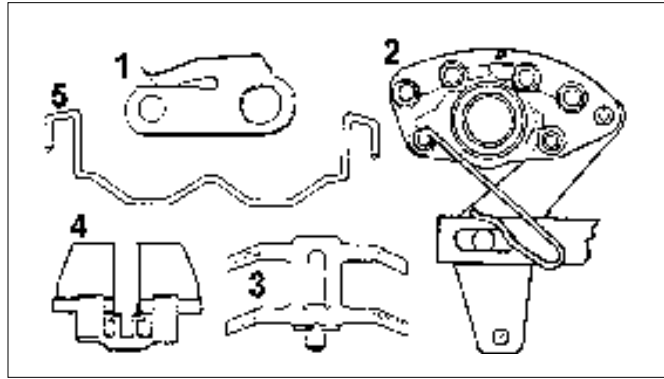
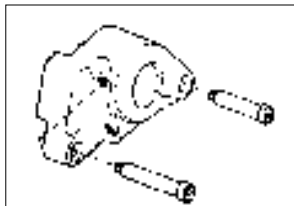
Russell's Speed Bleeder uses an internal one way valve that allows air to escape but, not enter the bleeder when the brakes are being pumped. Sold in pairs.

- 24530** 1/4" FL 80-on, FX, XL, FLT 1978-on (44179-58)
- 24531** FL 1980-on, FX, XL, FLT 1978-on. 3/8"-24 bleeder (44146-77, 44146-82, 44048-83)

Caliper Screws

Replaces 44175-77, 44176-77 on 1979-81 Sportster rear caliper. (Pair)

- 3354**



Vibration Clips

Fit to OEM to dampen pad rattles.

PCP Description

- 1 16231** Front FL 1973-78 (41768-73)
- 2 3355** Rear FX, FL 1973-81 (41670-73)
- 3 16242** Rear 1983-91 (44211-82)
- 4 16243** XL, FXR 1982-on, FLHS, FXSB, FXWG 1983-on (41665-82)



Caliper Anti-Vibration Kit

For use on FL-FX rear brake calipers used on 1973-80. Replaces OEM 41670-73.

- 3355**



Dual Disc Caliper Mounting Kit

Contains four chrome allen bolts with nuts for dual disc 1977-83.

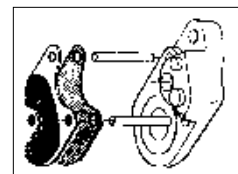
PCP Description

- 4568** Bolt & nut set (44173-77, (44174-77)
- 3791** Upper and lower bushing set (46018-77,46019-77) (4)

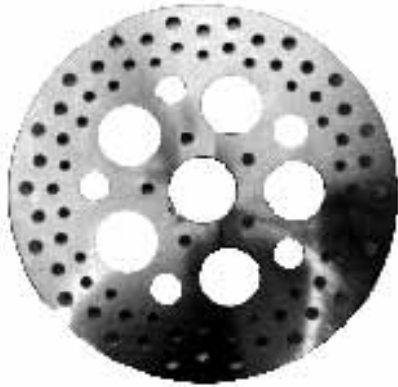
Dual Disc Pad Pins

Replaces 44162-77, FX-XL Calipers 1977-1983

- 10150** 10 pack



Russell Rotors

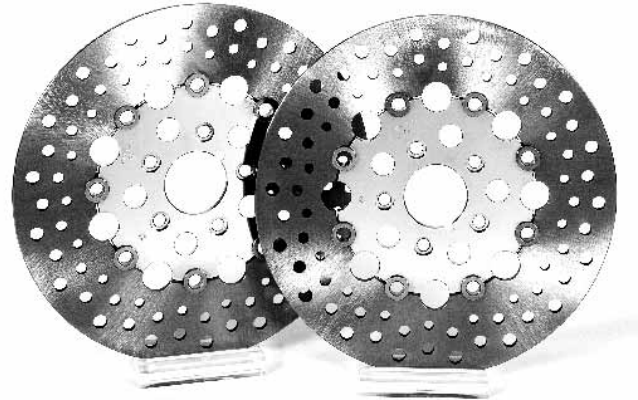


Russell Stainless Steel Brake Rotors

Russell engineers have designed our rotors to deliver the optimum in braking efficiency and the maximum in heat dissipation.

Designed utilizing SVS420JZ stainless steel material that is highly rust resistant and compatible with most types of brake pads including sintered material.

Russell 420 stainless steel brake rotors are available in our traditional satin machine finish or our professional high luster polish for the discerning custom builder.



Russell True Floating Brake Rotors

Rotors feature no rattle, quiet operation and are constructed from 420 stainless steel construction with chrome plated centres. Rotors are self aligning, maintaining full contact with pads. Spring loaded retention system provides for maximum floatation. These rotors offer cooler operation and use stock mounting hardware.

Russell High Performance 420 Stainless Steel Brake Rotors

Satin Machine Finish	Pro Polished Finish	Floating	Application
53016	53022	53028	Rear all FX 1981-91, XL 1979-91, FXR 1982-91. 11.5" Diameter with countersunk mounting holes. Uses stock mounting hardware. (41791-79A)
53017			Front FX, XL 1974-77 single disc. 11.5" Diameter with countersunk mounting holes. Uses stock mounting hardware. (41807-74)
53018	53024		Front FX, FXR, XL 1977-83 with dual disc. 10" Diameter with countersunk mounting holes. Uses stock mounting hardware. (44137-77A)
53019			Rear FX 1978-80, FL 1978-80 and front FL 1978-84. 10" Diameter with counterbore mounting holes. Uses stock mounting hardware. Note: disc sold separately (41813-79)



Caliper Covers

Easily attaches to the front disc brake caliper. Available in two styles; plain or louvered.

- 3236** Plain 1980-83
- 3165** Louvered 1980-83



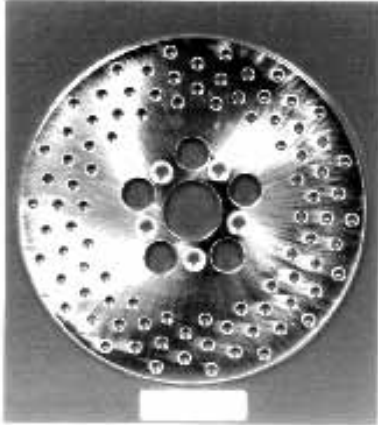
Russell Silicone Brake Fluid

Russell's long life DOT 5 silicone brake fluid was specifically developed for severe service and competition applications. It will not boil at temperatures up to 500 degrees fahrenheit. It will not absorb moisture and is recommended for use with Russell Powerflex hoses. Sold in 12 oz. bottles.

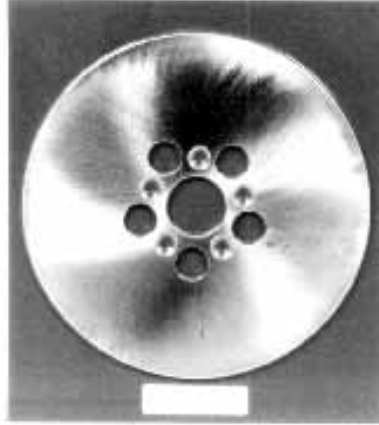
- 6754** Each bottle

Rotors

PrestonCycle



PrestonCycle



Steel Disc Brake Rotors

Features fine finish ground to tolerances of OEM specifications. Available with or without holes. Exactly interchangeable with stock disc. Order bolt set separately.

Front Rotors

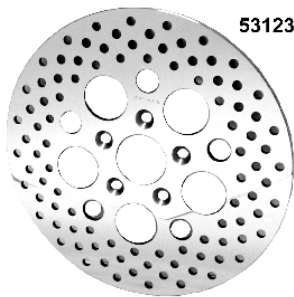
Drilled	Plain	Size	Application	I.D.	Thick	Bolt	Bolt style
1973	1911	10"	1979-83 XL cast wheel only (44137-79)	2.0	.190	5350	C/S
1975	906	11.5"	1974-77 FX, XL front only, cast or wire wheel (41807-74)	Star	.225	5351	C/S
1979	907	10"	1977-83 FX, XL front cast or wire wheel, 1982-83 FXR front cast or wire wheel (44137-77A)	2-3/8	.210	5350	C/S
1982	1931	10"	1979-83 FLT front only (44210-79)	2.0	.230	4361	C/S

Front or Rear Rotors

1976	905	10"	1973-80 FL front and rear, 1981-84 FL front only, 1978-80 FX cast or wire rear only (41813-79)	2.0	.230	5328	Punch
1978	904	10"	1973-78 BT rear, 1972-78 FL front only, 1973 only FX, XL rotor with built-in offset (41806-72B)	1-13/16	.230	5328	Punch

Rear Rotors

1977	908	11.5"	1979-92 XL rear wheel, 1981-91 FX, FXR, cast or wire wheel (41791-79)	2.0	.225	5382	C/S
	1930	12"	1981-84 FLH rear only, cast or wire wheel	2.0	.390	5382	C/S
1981	1930	12"	1979-85 FLT rear only (40939-79A)	2.0	.390	4361	C/S

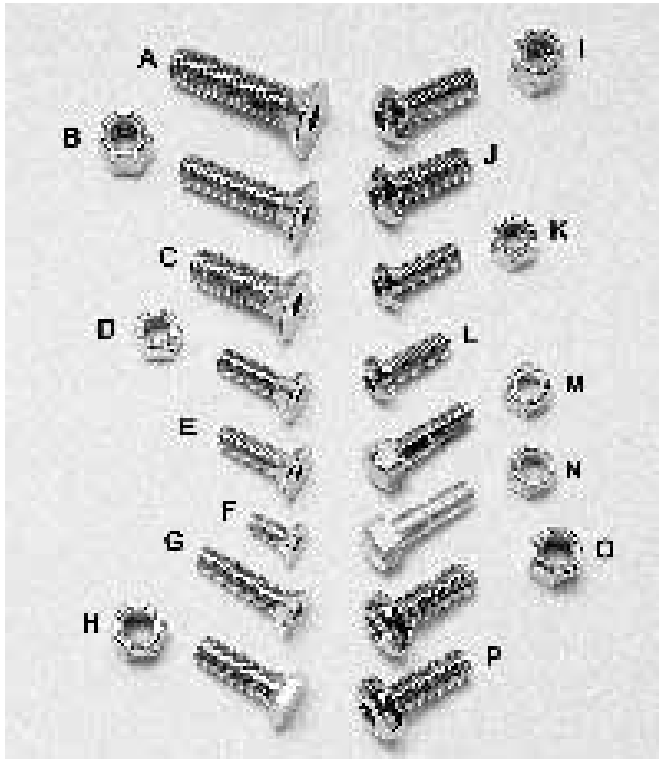


Dura Brand Drilled Stainless Rotors

Standard or polished rotors are compatible with all disc pads including sintered metal and OEM.

Pol.	Std	Diam.	Application
53123	53124	11.5"	Rear 1979-92 all XL, 1981-92 FXR cast or wire (41791-79)

Rotor Related



Chrome Rear Rotor Bolts

#	PCP	Thread	Fits
A	4360	7/16 x 14 x 1 1/4	1982-85 FLT
B	5382	3/8 x 16 x 1 1/2	1979-99 FX-XL, 1981-84 FL
C	4361	7/16 x 14 x 1 1/4	1980-81 FLT
H	5328	3/8 x 16 x 1	1973-80 FL
I	5329	3/8 x 16 x 1	1973-80 FL
J	9632	3/8 x 16 x 1	FX, FL 79-91, XL cast 79-96 w/o nuts
M	5401	5/16 x 24 x 1	1952-78 XL
N	5402	5/16 x 24 x 1	1952-78 XL (Cad plated)

Chrome Front Rotor Bolts

#	PCP	Thread	Fits
A	4360	7/16 x 14 x 1 1/4	1982-85 FLT
C	4361	7/16 x 14 x 1 1/4	1980-81 FLT
D*	4362	5/16 x 18 x 1	1978-83 FXWG
E	5350	5/16 x 18 x 1	1978-82 FX-XL (dual disc)
F	5351	1/4 x 20 x 5/8	1974-77 FX-XL
G	9600	5/16 x 18 x 1 1/4	1974-80 FX-XL w/Mag wheel
H	5328	3/8 x 16 x 1	1973-80 FL, 1973 only FX-XL
I	5329	3/8 x 16 x 1	1973-80 FL, 1973 only FX-XL
L	5384	5/16 x 18 x 7/8	1984-on FX, FXR, XL (torx)

*Dual Disc Applications require two sets.

Chrome Rear Rotor Covers

Chrome covers made in the U.S.A.
7020 FLT-FLHT 1981-83



Sprocket & Disc Spacers

Used to establish correct rotor to caliper alignment/spacing when servicing wheels, brake calipers, supports or rotors.

PCP	OEM	Thickness	Years	Use
3376	41814-76	1/16"	1976-81	Disc
11855	40932-81	3/16"	1981-84	Both
11856	Alloy	1/4"	1973-on	Both
11857	Alloy	5/16"	1973-on	Both
11858	Alloy	3/8"	1973-on	Both
11859	Alloy	1/2"	1973-on	Both

Use 3376 when installing flat rotor on 1973-75 Big Twins.



Caliper Cover

Easily attached to the front disc brake caliper on 1972-84 FL single disc models and rear disc caliper on 1973-80 Big Twins.

443 Ribbed

Rotor Disc Cover

Completely covers the front disc without interference on 1973-84 FL single disc models. Comes with required spacers.

442 1973-84

Dummy Disc Brake Cover

Fits right side of FLH. Gives the look of dual disc brakes. 1973-80.

1165 1973-80



Rotor Bolt Spacers for 1 Wheel

Set of 5 steel spacers to adapt 1973-on FX-FL rear hubs to accept front rotors for front fork use, dual disc type 1980-93 FXWG type.

PCP	Size
1167	3/8" O.D., 5/16" I.D. (10 pk)
18009	7/16" O.D., 3/8" I.D. (5 pk)
18010	7/16" O.D., 5/16" I.D. (10 pk)

Brake Pads



1972-84 Front and Rear Disc Brake Pads

Brake pad kits for 1972-84 front and rear disc brake "banana" caliper applications (OEM 44005-78 and 44135-74). Fits FX and XL disc front brake 1973; FL models single disc front brake 1973-84; and FL models 1973-83 rear disc brake.
872



1974-77 Single Disc Front Brake

Brake pad kits for 1974-77 single disc front disc brake (OEM 44281-74). Each kit contains two brake pads and four rivets. Fits FX and FXE 1974-77; XLH and XLCH 1974-77.
873



1977-83 Dual Disc Front Brake

Brake pad kits for 1977-83 dual disc calipers (OEM 44098-77). Fits FX and FXWG 1977-83; XL models 1978-83; XLCR 1977-78; and 1982-83 FXR's with dual front disc brakes.
878 Set (containing 4 pads)



1977-81 XL Rear and 1980-83 FLT Front

Fits all XLCR 1977-78 rear disc (OEM 44099-77). Fits all XL 1979-81 and all FLT/FLHT models, front dual disc brake, 1980-83 (requires two sets), OEM 43395-80.
879 Set (2 pads)



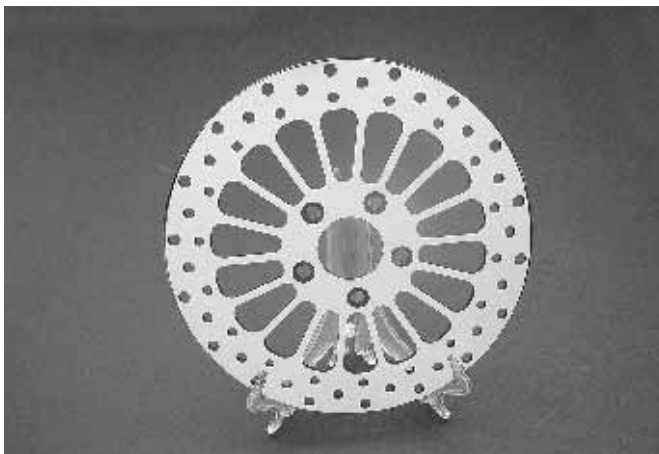
1982-E87 Rear Disc Brakes

Brake pad kits for the rear "Girling" caliper on all 1982 to early 1987 models except FLT and FLHT models (OEM 44209-82).
2570



1980-85 FL, FLT and FLHT Rear Disc Brakes

Brake pad kit for large automotive style dual piston rear caliper (OEM 43957-80). Fits 1980-85 FL, FLT and FLHT models rear disc brake.
2569



Wyatt Gatling Polished 18 Spoke Rear Rotor

59339 1979-99



XL Front Disc Brakes 1984-on

Brake pad kit for 1984-on XL models with either single or dual caliper front disc brakes (OEM 44063-83). Dual front disc brake models (FXRT, FXRD, FXRS with sport suspension and XR1000 models) require two pad sets for a complete brake service (OEM 44063-83).
3974 Set (2 pads)

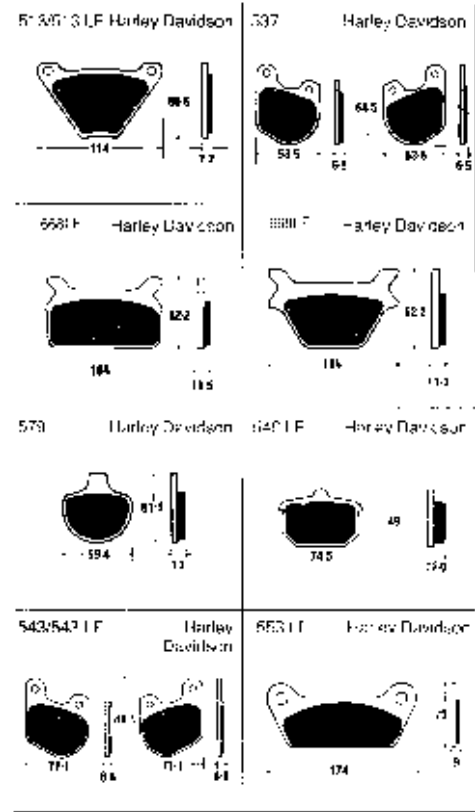
SBS Brake Pads

Scandinavian Disc Pads.

UPGRADE YOUR BRAKE PADS WITH SBS COMPOSITE TECHNOLOGY

Replace worn or glazed brake pads with modern SBS lead-free, asbestos ceramic components. These SBS pads have long life, dependability, and provide optimum braking performance in wet or dry riding conditions. SBS's proven ceramic fiber compound is the result of precise blending of 25 critical ingredients.

Patented ultrasonic UCT (Unified Composite Technology) blending produces a consistent fiber blend and composition to provide superior brake pad function under all circumstances. These pads are gentle on OEM rotors while providing the best in all-weather stopping performance. SBS means superior brake service!



PCP	SBS	Fit	Application
46900	513HF	Front	FL, FLH 72-84; XL, FX 1973 (44131-73)
46901	679HF	Front	FXE, FXB, XL 74-E77 (44281-74)
46902	537HF	Front	FXR, FXRS 82-83; FXWG 80-83, and XL, FXE, FXEF L77-83 (44032-79, 44032-77)
46903	543HF	Front	FLT, FLHT 80-83 (43395-80)
46904	579HF	Front	XL 84-98 (44063-83A/B/C/E)
46910	513LF	Rear	FL, FLHT L78-80; FL, FLH, FLHS 72-E78; FXWG 80-82; FX, FXE 73-E78 (44005-78, 44135-74)
46911	553 LF	Rear	FLT, FLHT 80-85 (43957-80)
46912	543LF	Rear	XL 79-81 (43395-80)
46913	549LF	Rear	FXR, FXRS, FXRT 82-E87; FXWG 83-86; XL 82-E87 (44209-82)

Other Applications

PCP	SBS	Fit	Application
46916	512LF	Front	GMA caliper FLH 72-83
		Rear	GMA caliper FL with 11.5" rotor (NO FLT, FXR) 73-84 and rigid frames with 10" rotor
46917	559HF	Front	GMA caliper 4 pistons XL 77-98; FXR 80-83 and FXWG dual disc (slight trimming may be required)
46918	560HF	Front	GMA "B" caliper XL 84-98; BT 72-83; FX, XL 74-77; FL dual caliper 49-84
		Rear	GMA "B" caliper XL 79-98

EBC Brake Pads



EBC Brakes

Made from a Kevlar material that is 6 times stronger than steel and less abrasive than steel or asbestos, preventing damage to your rotors. Pads do not carbonate, crack or chip while being able to withstand temperatures higher than asbestos pads. These pads offer superb braking power with reduced fading, no disc damage and improved durability.

PCP	EBC	Fit	Application
46953	FA78	Rear	Models 82-E87 except FLT, FLHT
46954	FA79	Rear	FLT, FLHT 80-85
46955	FA24/2	Front	FLH front single disc 73-84
		Rear	FLH 73-80; FX 73-83
46956	FA71	Front	FX and XL dual disc models 78-83
46957	FA72	Front	FLT, FLHT dual disc 80-83
		Rear	XLCR 77-78, XL 79-81
46958	FA26	Front	FX and XL single disc models 74-77
46959	FA36	Fr/Rr	GMA A caliper
46960	FA76	Fr/Rr	GMA B caliper
46961	FA115	Fr/Rr	GMA F caliper; Jaybrake 4 piston; Performance Machine 125x4S caliper
46962	FA188	Fr/Rr	Jaybrake Jayfour 4 piston caliper
46963	FA190	Fr/Rr	Jaybrake 6 piston caliper
46964	FA32	Fr/Rr	Performance Machine 162x2 caliper
46965	FA216	Fr/Rr	Performance Machine 125x4R caliper
46966	FA210	Fr/Rr	Performance Machine 137x6 caliper
46967	FA249	Fr/Rr	Performance Machine 112x6/B caliper

Rear Master Cylinder



Complete Chrome Master Cylinder

Cast iron type to replace Wagner Lockheed type on 1958-79 Big Twins, drum & disc brake types. Drum brake type may be used on disc brake models by following instructions in factory service manual. Units are assembled with internals and include cap and boot.

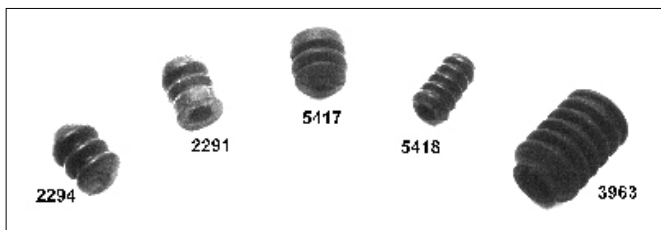
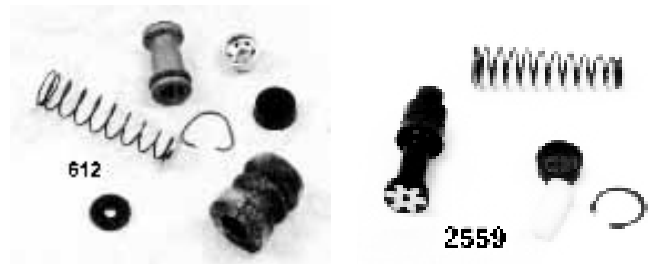
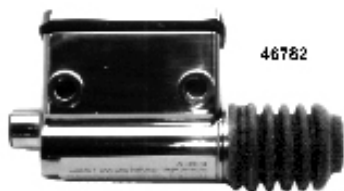
PCP	Type	Description
713	Drum 1958-72	Chrome (41761-58)
46799	Drum 1958-72	Black, as above
59098	Disc 1973-E79	Painted (41761-78)
2561	Disc 1973-E79	Chrome (41761-78)
3971	Servi car 1951-73	Genuine Wagner (83500-51)
19099	Rebuild for above	Genuine Wagner (83502-51)



Chrome Kelsey-Hayes Type Master Cylinder

A chrome reproduction of the Kelsey-Hayes master cylinder used on late 1979-84 FL models, 80-82 FLT, and 1979-81 XL models. Kit includes all internal components, boot, cover gasket, and chrome top cover. Many other reservoir covers are available elsewhere in this catalogue.

PCP	Fits
3964	Complete chrome master cylinder (41754-79A)
46780	As above in a stock finish
711	Master cylinder rebuild kit for above (42374-77B)
46782	Complete chrome master cylinder 5/8" bore, XL 1982-E87 (42453-82A)
46783	As above, plain finish (42453-82B)



Rear Master Cylinder Rebuild Kits

PCP	Application
612*	1958-72 Big Twin (41762-58A)
46106	1973-79 Disc brake models
711	1979-81 XL, L1979-84 FL, L79-85 FLT (42374-77B)
2559	1982-86 XL, 1983-85 FX 4-speed (42374-82A)
1944	1982-86 All FXR (42382-82A)

*Note: 612 fits cast iron type Wagner Lockheed style.

Master Cylinder Boot for Harley

PCP	Description
2291	FL, FX 1970-E79 (41764-70)
2294	FL 1958-69 (41764-58)
5417	FLH 1979-on, FX 1979-82, XL 1979 (41764-79)
5418	FX 1983-on (42326-82)
3963	XL 1979-03, FLT/HT 1980-on and FXR 1982-on (40922-79)



Chrome Master Cylinder Cap

Fits Big Twin master cylinders 1958-E79.

2313	Chrome (41765-58)
430	Chrome cover fits over #2313
44055	As above, black

Master Cylinder Top Gasket

Replaces 41766-58. Use on 1958-78, 74", 80".

25140	10 Pack
-------	---------

Rear Master Cylinder



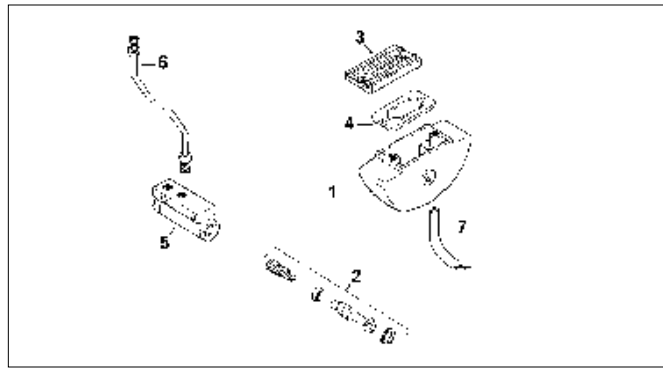
46715

Chrome Rear Master Cylinder 1982-E87

Beautifully chrome-plated rear master cylinder for most Big Twin models with 'Girling' rear calipers. Perfectly replaces the stock master cylinder on all 1983-E87 FX models (except 1984 FXE). May also be installed on all 1982-E87 FXR models, but the pipe plug on the backside will have to be removed for stop light switch installation.

PCP Description

- 46715** Chrome complete w/stop switch holes (42446-82A)
- 1944** Rebuild kit for above 1982-86 (42382-82)
- 46714** Complete chrome, no hole 1982-86 (42470-82B)
- 46777** Natural finish, as above



Rear Brake Master Cylinder Reservoir 1982-87

#	PCP	Description
1	46711	Black reservoir body (41804-84A)
	46710	Chrome reservoir body (41800-81A)
2	2559	Rebuild kit (42374-82A)
3	2387	Chrome top cover 1979-84 (42376-77A)
4	25148	Gasket 1982-84 (42455-80) (each)
5	46715	Chrome master cylinder (42446-82A)
6	4302	Brake tube (45154-84)
7	3056	Black hose 5/16" x 25'



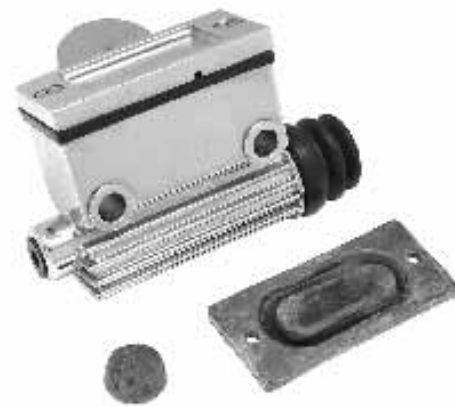
90229

11.5" Caliper Conversion Kit

Updates of 1973-82 FX-FL models with 11.5" rotor. Includes caliper bracket, 11-1/2" drilled rotor in stainless or zinc plated steel, mount bolts and the dual piston GMA caliper. By converting to this style caliper, rattle and chatter will be eliminated and a much greater stopping power achieved. GMA calipers should be used with GMA master cylinders listed below. Use with 5/8" bore master cylinder.

PCP Application

- 90228** 11.5" kit complete w/S.S. rotor
- 90229** 11.5" kit complete w/steel rotor
- 49800** Russell stainless steel front line
- 3370** Brake tee (42318-72)



Rear Master Cylinder

Fits 1980-83 FXWG and 1979-84 FXS models. (42453-80A)

- 46712** Chrome
- 46716** Natural

Master Cylinder Covers



XL Chrome Rear Master Cylinder Cover
64202 Die Cast 1984-03 (45286-98)



XLH Chrome Master Cylinder Cover 1980-03
4498



4048



2250

Rear Master Cylinder Cover for FL & FX
 Fits Wagner rear master cylinders on 1958-79 FL and FX.
 Replaces OEM 41737-63T.
2250

Late Type Chrome Master Cylinder Cover
 Fits all FLH 1979-84, Replaces 41745-79T.
4048



45174

XL Die Cast Rear Master Cylinder Cover
45174 1984-03 (45286-98)



45711

Chrome Pedal and Master Cylinder Cover Kit
 Fits XL 1982-03 and includes pedal, cover, plunger and mount hardware.
45711



Chrome Master Cylinder Reservoir
 Available in chrome or stock black finish. Chrome-plated ABS plastic reservoir was designed to replace the black OEM item. Fits all Big Twin models with 'Hayes' master cylinders 1982-on. When installed in conjunction with a chrome top cover, it makes a striking addition to any late model motorcycle.
PCP Description
46710 Chrome reservoir (41800-81A)
46711 Black reservoir (41804-84A)



2051



45054

Chrome Rear Master Cylinder Reservoir Cover
 Fits the FXR remote reservoir on Harley rear brake systems 1982-94. A perfect chrome match to our FXR model side covers. One-piece, sturdy construction. Two-way adhesive mounting pad is included on #2051, installation is easy.
45054 Bolt on style
2051 Snap on style
59096 1982-86 FXR

Master Cylinder Covers



2548



3619



2387

Master Cylinder Covers

Chrome Cover with Black center design 1972-81

2548

Chrome-plated rib-style master cylinder cover. Fits 1979-84, XL 79-81 rear and 1982-85 front master cylinder.

2387 42376-77A

Chrome cover with black painted center. FL, FX, XL 1982-85

3619 Girling master cylinder (45057-82)



45121



45223

Eagle Spirit Master Cylinder Covers

Chrome	Gold	Type
-	45223	1972-81 all front (45057-72)
45121	45221	1982-85 all front (45057-82)
45119	-	1982-E87 rear XL (42381-82)
45120	45220	1979-84 rear FL1980-82, FXWG 1979-81, XL's 1982-89, BT rear remote reservoirs (42376-77A)



Handlebar Master Cylinder Cover Screws

Chrome tapered Allen head screws.

PCP Description

24526 MC top, SS countersunk 1972-81 (2628) (25pk)

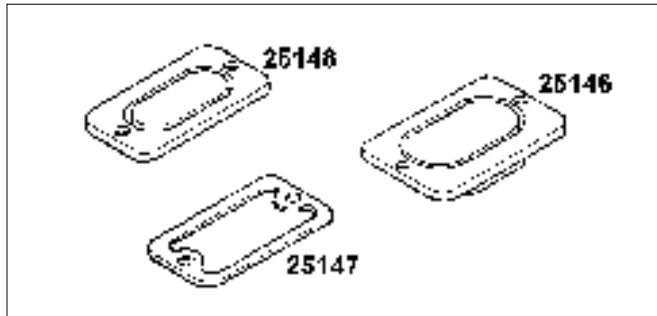
24601 As above, chrome (2628) (10 pk)

24547 MC top, countersunk 1982-on (2579) (10pk)

24527 Points cover 1970-78 (2622) (25 pk)

24528 Points cover 1979-on (2625) (25 pk)

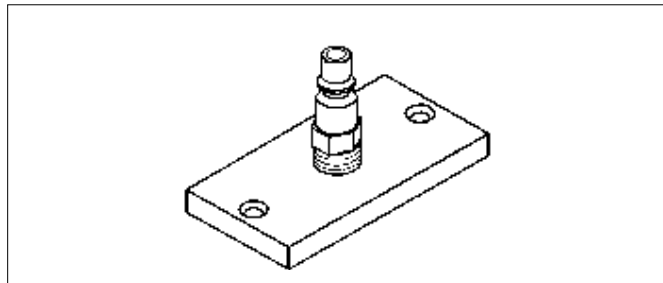
24529 Reservoir cover (42534-82) (25 pk)



Master Cylinder & Reservoir Top Gaskets

Front	OEM	Description
25147	45012-72	Master cylinder 1972-81 (10 pk)
25148	42455-80	Master cylinder 1982-84 (ea)
25146	45005-85	Master cylinder 1985-95 (ea)

Rear	OEM	Description
25148	42455-80	Master cylinder top 1979-81 (ea)
25142	42455-82	Reservoir 1982-84 (ea)
25146	45005-85	Sportster (ea)



Low Pressure Master Cylinder Bleeder Covers

Will allow one person to bleed brake lines or to check system for leaks and can drain the entire system to replace brake fluid.

26128 Front 1972-81

26129 Front 1982-95



Handlebar Master Cylinder 1972-81

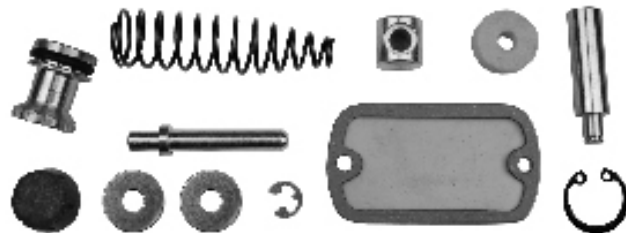
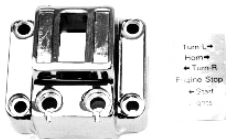
46785 Polished (45010-73)

2558 Chrome

Control Box Decal Set

Complete set of decals for both right and left handlebar switch boxes. Use on all Twins 1973-81.

892



Master Cylinder Complete Rebuild 1972-81

46305

Handlebar Master Cylinder



Master Cylinder 1972-81

Complete chrome-plated master cylinder assembly. Includes brake lever, master cylinder cover, brake line fitting, stoplight switch and all other internal components. Fits all XL, FL models 1973-81 and FL models 1972-81. Pivot pin and plunger kit includes hand lever and plunger pivot pins, plunger, plunger spring, dust wiper and washers.

PCP Description

- 2558** Chrome master cylinder assembly (45010-72C)
- 46785** As above with polished finish (45010-73)
- 4771** Chrome master cylinder body (45024-72)
- 46785** Polished master cylinder body (45037-73)
- 46105** Pivot pin and plunger kit



Chrome Handlebar Control Kits for 1972-81

These complete chrome-plated control kits are offered in two versions. The kit contains the master cylinder and clutch lever assembly with two switch housings, all handlebar wiring harnesses and switches attached, the button switch caps and all the necessary mounting hardware required.

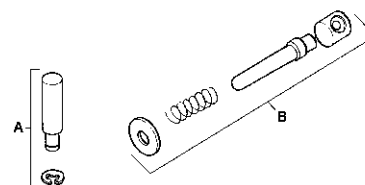
- 6705** Chrome kit w/wiring and chrome switches and caps
- 91209** Chrome kit with wiring and black switches
- 91205** Chrome kit with chrome switches and caps



Handlebar Control Kit

Fits 1972-81 Harleys. Includes master cylinder assembly, clutch and brake levers, clutch lever bracket and two (2) vertical switch housings. Reuse OEM wiring.

- 91206** Polished kit
- 91204** Chrome



Master Cylinder Plunger 1972-81

Sold as a complete kit or by individual pieces.

PCP Description

- 4388** (A) Kit
- 4389** (B) Kit
- 46102** Plunger (45055-72) (5 pack)
- 46103** Spring cup (45059-72) (10 pack)
- 10158** Lever pin (45032-72) (5 pack)
- 10156** Plunger pin (45031-72) (5 pack)
- 11010** Snap ring (11015) (10 pk)



Chr. Switch Housing Mount Kit

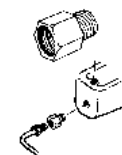
Mounting kit for the handlebar switch housing cover on all Harley models 1973-81.

- 2635** Acorn
- 5255** Cap
- 5358** Allen
- 892** Decal set

FLH Brake Fitting

Replaces 63609-72 on FL-FLH 1973-81 1/8-27 NPSF each.

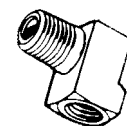
- 4699** Each



Master Cylinder & Tee Fitting

This right angle fitting adapts the front brake line to the handlebar master cylinder and the brake tee on many Harley models 1972-81.

- 3966** 43307-78 (each)



Master Cylinder Cover Gasket

Replacement gaskets for the handlebar master cylinder of all stock 1972-81 FL, FLT and 1973-81 FX, XL models. Replaces OEM 45012-72. Available in 10 packs only.

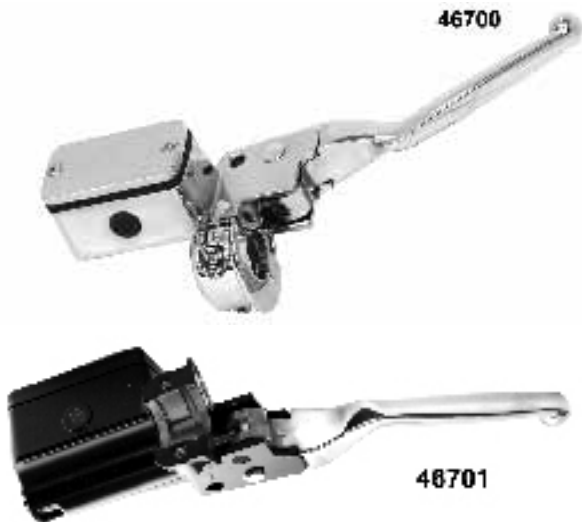
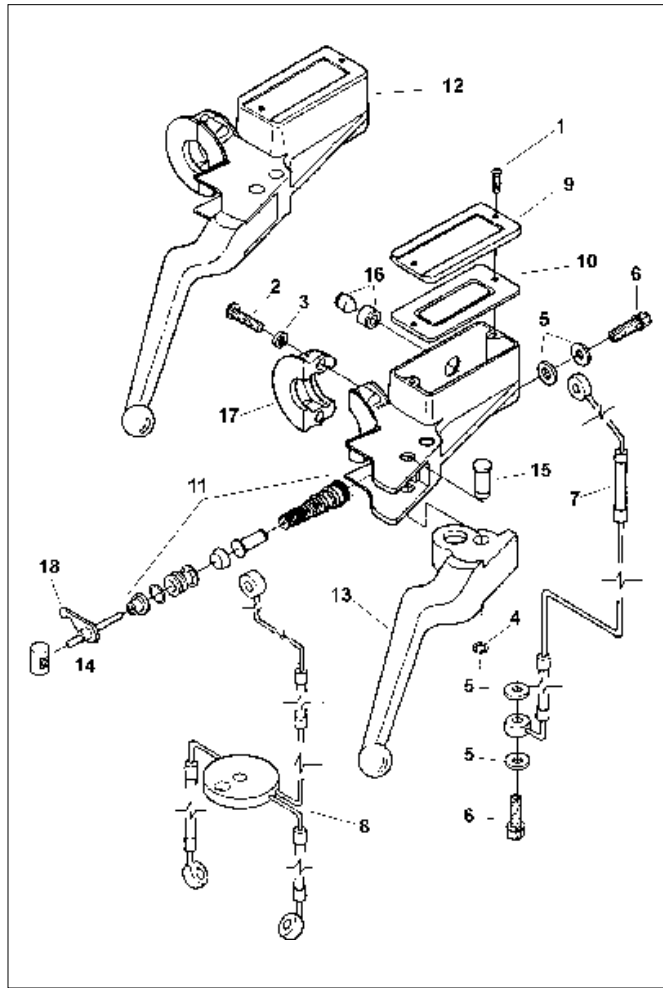
- 25147**



Handlebar Master Cylinder

1982-84 3/4" Master Cylinder Components

#	PCP	OEM	Description
1	24601		Chrome screw 82-* all (10 pack)
2	24509	4015	Black screw, clamp 1/4-20 x 7/8 (5)
3	12003	6099	Washer 1982-* all (10 pk)
4	11035	11143	Retaining ring all (10 pk)
5	25279	41731-82	Steel washer 1982-89 all (10 pk)
6	24028	41747-82A	Fitting 10mm
7	49528	42304-82	Brake line single disc FL
	4253	45121-77	Lower front brake hose FXE-80
	2290		+4", as above
	2289	45123-77	Lower front brake hose 19" all models except FXE-80
	4269	45124-83	Comp. front brake hose 1983 FXSB
	4258	45121-83	Comp. front brake hose 1983 FXE-80
	4257	45126-82	Upper front brake hose 23" 1982 all models except FXWG
	4277	45127-82	Upper front brake hose 20" 1982 FXWG
8	4284	43332-82	Top hose 1982 FLT
	4285	43333-79	R/S Lower brake hose 1980-82 FLT
	4286	43334-79	L/S Lower brake hose 1980-82 FLT
9	3619	45057-82	Chrome cover all
10	25148	42455-80	Gasket 1982-84 all
11	2560	45063-82A	Repair kit 3/4" 1982-95
	46300		T/L as above
12	46707	45013-82B	Blk m/cylinder FLT (10mm) 1982-83
	46700	45013-82C	As above, chrome
13	2440	45016-82	Chrome hand lever 1982-95 all
14	10157	45031-82A	Pin stop switch, pushrod 1982-* all
15	10159	45032-82	Pin, hand lever 1982-95 all
16	46100	45042-82	Sight glass kit 1982-on all
17	46007	45044-82	Black clamp, master cylinder, 82-95
	46005	45044-82	Chrome clamp, master cylinder 1982-95 FXR
18	46101	45051-82	Pushrod for stop switch 1982-* all



Chrome Banjo Bolts and Washers

Replacement banjo bolts for OEM & PC 46700 handlebar master cylinders for models 1982-on.

24030 Fits master cylinders with 10mm brake lines

24031* Fits PC Master Cylinder 46700 ONLY when 12mm brake lines are used on 10mm cylinder

24029 Fits master cylinders with 12mm banjo fitting

*NOTE: Allows use of 12mm lines on a master cylinder with 10mm thread

1982-85 Front Master Cylinders

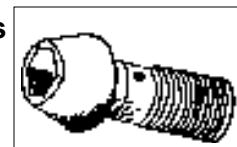
All top quality parts, master cylinders available in chrome plated and black (as OEM finish).

PCP	Description
46700	1982-85 chrome cylinder (3/4") 10mm banjo fitting (45013-82B)
46707	Preston, as above, black
46300	T/L rebuild kit for above 1982-85 (45063-82A)
2560	Preston as above
46702	Chrome 5/8" master cylinder (45019-85A)
46703	As above, black

Allen Button Head Banjo Bolts

Sold without washers

PCP	Size
24025	3/8-24, 10mm
24026	7/16-24, 12mm



Handlebar Master Cylinder



Chrome Master Cylinder

11/16" Bore master cylinder fits 1985-95.

46704 45013-85C



1982-95 Chrome Handlebar Controls

Chrome handlebar mounted brake & clutch control assemblies with switch housing (use your OEM wiring parts). The clutch lever assembly includes both style of cable pin which will permit the use of the early style cable, as well as the latest eyelet type.

PCP Fits

90110 Kit with 3/4" (.750") bore master cylinder for all dual disc models 1982-83

90111 With 5/8" (.625") bore master cylinder for all single disc models from 1984-95

Replacement Parts

46700 Chrome 3/4" master cylinder for all 1982-83 models with 10mm thread (45013-82C)

46707 Black, as above

46001 Switch housing, right top (71564-82)

46002 Switch housing, right bottom (71563-82A)

46003 Switch housing, left top (71567-82)

46004 Switch housing, left bottom (71568-82A)

46005 Replacement lever clamp only, for clutch & brake (45044-82)

46006 Clutch lever assembly with anti-rattle device (includes #46005) and necessary hardware

10165 Replacement nylon pin for eyelet style cables (45036-88) (5 pack)



1982-95 Handlebar Switch Housing Set

A four piece chrome set replacing upper and lower of right and left sides. Use existing wiring and switches for assembly. (Not for Radio controls)

PCP Description

46010 4 pieces 1982-95

24600 Chrome button head screws (2508) (10 pack)

24551 S.S. Allen head screws (2508) (10 pk)



Polished/Chrome Allen Bolts

8767 Switch box kit 1982-95

8766 Switch box kit 1973-81



12mm Master Cylinder Banjo Bolt 1982-on

24044 Each



Switch Box Allen Screw Kit all HD

Handlebar lever mounts and master cylinder cover screws.

Knurled Application

5358 1973-81

5359 1982-95

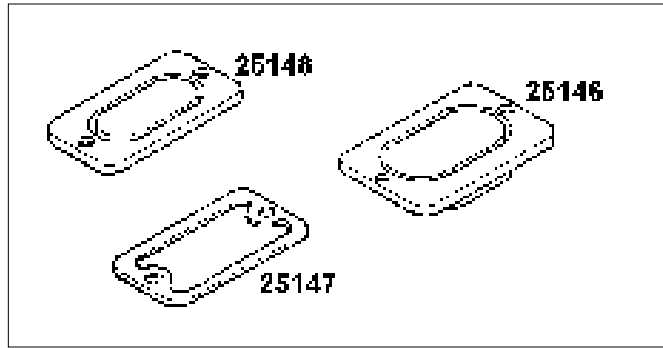
5388 Pre 1972 for early levers (4 pc)

Handlebar Master Cylinder



1973-84 BT Rear Brake Assembly Kit

PCP	Disc	Shock
90975	11.5"	FX
90976	11.5"	FL



Master Cylinder & Reservoir Top Gaskets

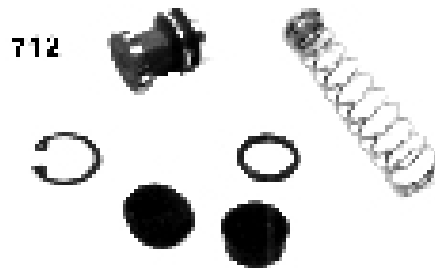
Front	OEM	Description
25147	45012-72	Master cylinder 1972-81 (10 pk)
25148	45012-82	Master cylinder 1982-84 (ea)
25146	45005-85	Master cylinder 1985-95 (ea)

Rear	OEM	Description
25148	42455-80	Master cylinder top 1979-81 (ea)
25142	42455-82	Reservoir 1982-84 (ea)
25146	45005-85	Sportster 1985-95(ea)



Chrome FL Rear Brake Pedal Plate

2038	1973-E79 (42480-73) (Preston)
75000	As above, Paughco
59081	L1979-84 (42480-79) (Preston)



FLH Brake Kit 1979-84

Includes chrome pedal, chrome plate with front floorboard bracket, plunger, spring and stud. Order master cylinder separately.

PCP	Item
90162	Chrome kit
3964	Chrome master cylinder

Handlebar Master Cylinder Rebuild Kits

Each kit contains all parts necessary for complete rebuild.

PCP	Year/Model fits
712	1972-81 All (45063-72)
2560	1982-85 w/ 3/4" Piston (45063-82)

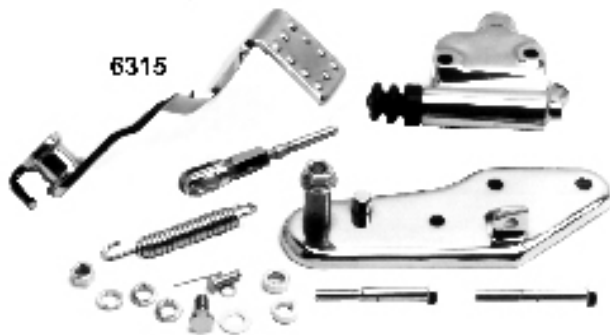
Brake Kits



FXST Style Brake Control

Late type forward controls for all 74's & 80's, 1970-on. Use on all FX, designed after the new FXST style. Places foot controls in comfortable position, same as the 1984 models. Includes rubber covered pegs, cast master cylinder, all linkage & parts necessary for installation. Replacement parts including right and left side may be ordered separately.

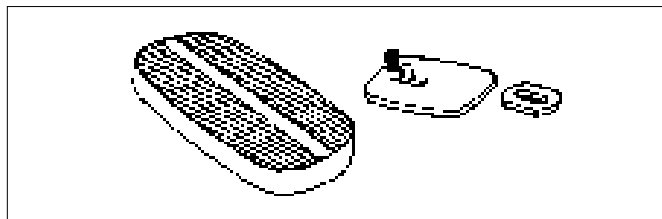
- 6308** W/Wagner type MC
- 6309** W/Kelsey Hayes Type MC



1958-69 Forward Brake Kit

Early Type Hydraulic Brake Kit. Includes all parts illustrated, exact OEM replacement for flat side motors 1958-69, or for use on cone motors with an outside frame pipe.

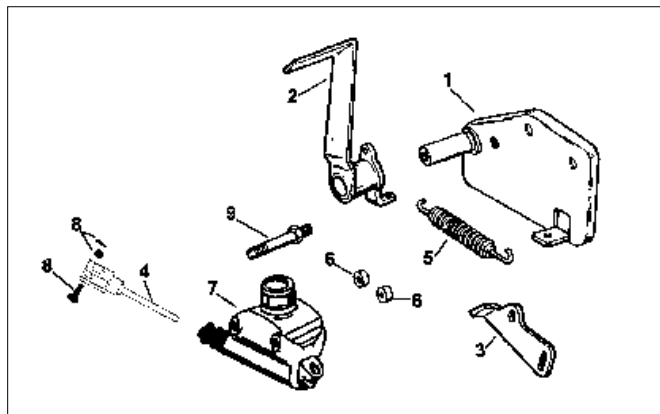
- 6315** With chrome master cylinder



1970-on Forward Brake Kit

Our original type forward control assembly equips all 1970 and later FXE-FL-FXR-FXWG-FXST with the Kelsey-Hayes type unit (OEM 41576-79A). Backing plate features adjustment stop for pedal. Special stud for mounting master cylinder also included. Complete assembly.

- 6316** W/Chrome MC (Wagner) 1970-E79
 - 6317** W/Chrome MC (Kelsey Hayes) L1979-84
- On 1979-81 FX-FL stock Kelsey Hayes Unit may be used.



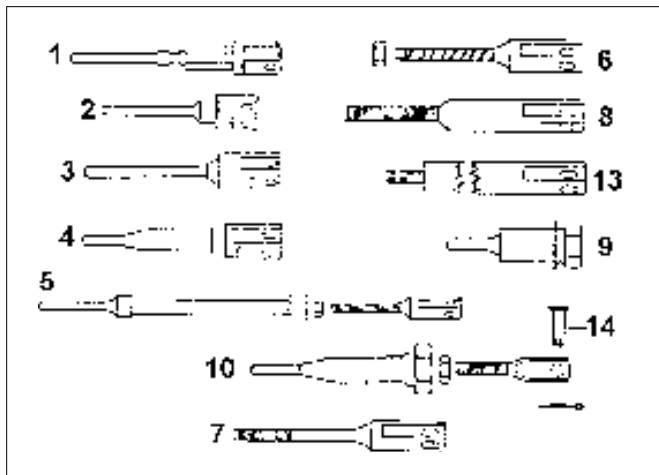
Chrome 1970-on FL Models

#	PCP	Description
1	2038	Pedal backing plate FLH 1970-E79 (42480-73)
	59081	Pedal backing plate FLH 1979-84 (42480-79)
2	2039	Brake pedal 1973-79 (42402-73) (Preston)
	75001	As above, Paughco
	59079	Brake pedal 1980-82 FLT (33882-79)
	59080	Brake pedal FLH L1979-84 (42402-79)
3	2041	Lever stop plate 1970-E79 (42411-70)
4	390	Master cylinder plunger 1970-E79 (42333-70)
	2276	As above, L1979-84 (42333-79)
	3361	As above, FLT 1979-82 (40923-79)
5	13207	Spring, foot lever 1958-68 (42427-58)
	13208	As above, 1969-84 (41835-69)
6	2040	Spacers 1958-79 (50668-35) (pair)
7	713	Drum master cylinder 1958-72 (41761-58) (chr)
	46799	As above, black
	2561	Master cylinder 1973-E79 (41761-78) (chrome)
	3964	"Kelsey" master cylinder L1979-84 (41754-79A)
8	10146	Clevis pin 1970-on (42269-70) (5 pack)
9	10863	Master cylinder mount stud L1979-84 (42301-79)

Brake Pedal Pad Kit

PCP	Description
2244	Kit FLH 65-79 (36956-65A)
4651	Black pad FLH 65-79 (36964-67)
23037	Black pad FLT 83-90 (42416-83)

Brake Hardware



Brake Plunger Rod and Clevis

To fit all 1958-up Big Twins.

#	PCP	Fits
1	389	Chrome 1958-69 FL (41770-58)
2	390	Chrome 1970-79 FL (42333-70)
3	2276	Chrome 1979-85 FL (42333-79)
4	3361	Chrome 1979-82 FLT (40923-79)
5	1252	Chrome 1972-E79 FX (42257-72)
	60005	Chrome 1979-82 FX (42257-79)
6	2129	Chrome 1972-82 FX clevis only (42330-72)
7	61023	Zinc, 1983-87 FXWG clevis (42522-82)
10	60006	Cadium, 1980-81 XL (42448-80)
	59089	Rod end with pin
14	10146	Clevis pin 1970-on (42269-70) (5 pack)
	10105	As above, 1958-69 (42269-30) (5 pack)



Chrome Brake Pedal Pad

Features chrome diecast backing for black rubber insert pad. These rubber pads offer a larger area that's easier to use.

46800	1983-86 FXWG
46801	3 piece for 1964-84 FL, 1980-83 FLT (brake pedal not included)



Rear Master Cylinder Mount

3967	FXE 1982-on (42527-82)
------	------------------------



Special Master Cylinder Mounting Stud L79-84

Replaces OEM 42301-79. Stock on all 1979-84 FL. Must also be used on 1970-78 Big Twins with forward mount brake when Kelsey Hayes type master cylinder is used.
10863



Late Plunger Springs

Function as brake pedal return springs on rear mounted master cylinders. Zinc.

PCP Application

13201	FLT 1979-on, XL 1980-84 (40920-79)
13250	FXWG 1982-86, XL 1986-E87 (40920-82)



Hydraulic Brake Switch -Accel

Top quality Accel brake light switches for all Harley Twins. They feature heavy-duty contacts and quality brass terminals.

5673	Screw type 1951-70 (72002-51)
5674	Flag type 1971-07 (72023-51A)



Brake Pedal Pad Kit for Harley 1967-on

Pad kit that gives you a larger, easier-to-use rear brake pedal on all 1965 and later 74" and 80" FL's models.

2244	Complete Kit (36956-65T)
4651	Black brake pedal rubber only (OEM 36964-67)

Brake Pedals



FXWG-Type Brake Pedal

Chrome, for stock replacement or our kits.

PCP Type

46820 Stock 1983-99 (42515-82)

46821* Kits

*For our **6309, 6308**



Extended Rear Brake Pedal

Extended rear brake pedal provides better access to pedal from floorboard. Use stock pad.

46804 FLH L1979-84



NOS XL Chrome Brake Pedal

37157 XL 1980-96 (42459-80) (no linkage)



Chrome Rear Brake Pivot Cover

This chrome-plated cover and bevelled washer were designed to cover the pivot point on the brake lever and is held in place by a sockethead screw. They install quickly and provide a finishing touch that make a difference.

45033 Fits FXWG from 1983-99



Foot Brake Lever and Parts FX-FXS

PCP Description

2448 Chrome pedal FX L1972-E79 (42399-72A)

2131 Chrome plate 1972-E79 (50800-71B)

13211 Zinc spring FX 1971-78 (42425-71)

13214 Spring FX-FXE 1979-84 (42425-79)

2243 Pad all FX w/centre mount brake, black (42394-65)

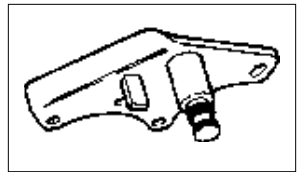
11818 Pivot washer 1972-E79 (24692-54)

11833 Pivot washer 1979-81 (42396-79)

Foot Brake Lever Bracket

Replaces OEM 50800-71B. Used on all 1972-79. Chrome plated.

2131



Master Cylinder Support Bracket

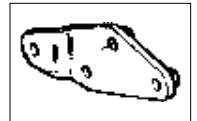
Zinc plated.

2130 FX-FXE 1972-E79 (42299-72)

59076 FX-FXE 1979-82 (42299-74)

59077 1972-E79 Zinc clamp (42439-72)

59078 1972-E79 Insulator (42440-72)



Brake Pedals FXR, FXD

Includes rod end and clevis pin.

PCP Description

46205 FXR 1982-E87, polish (42523-82)



Brake Clevis Pins

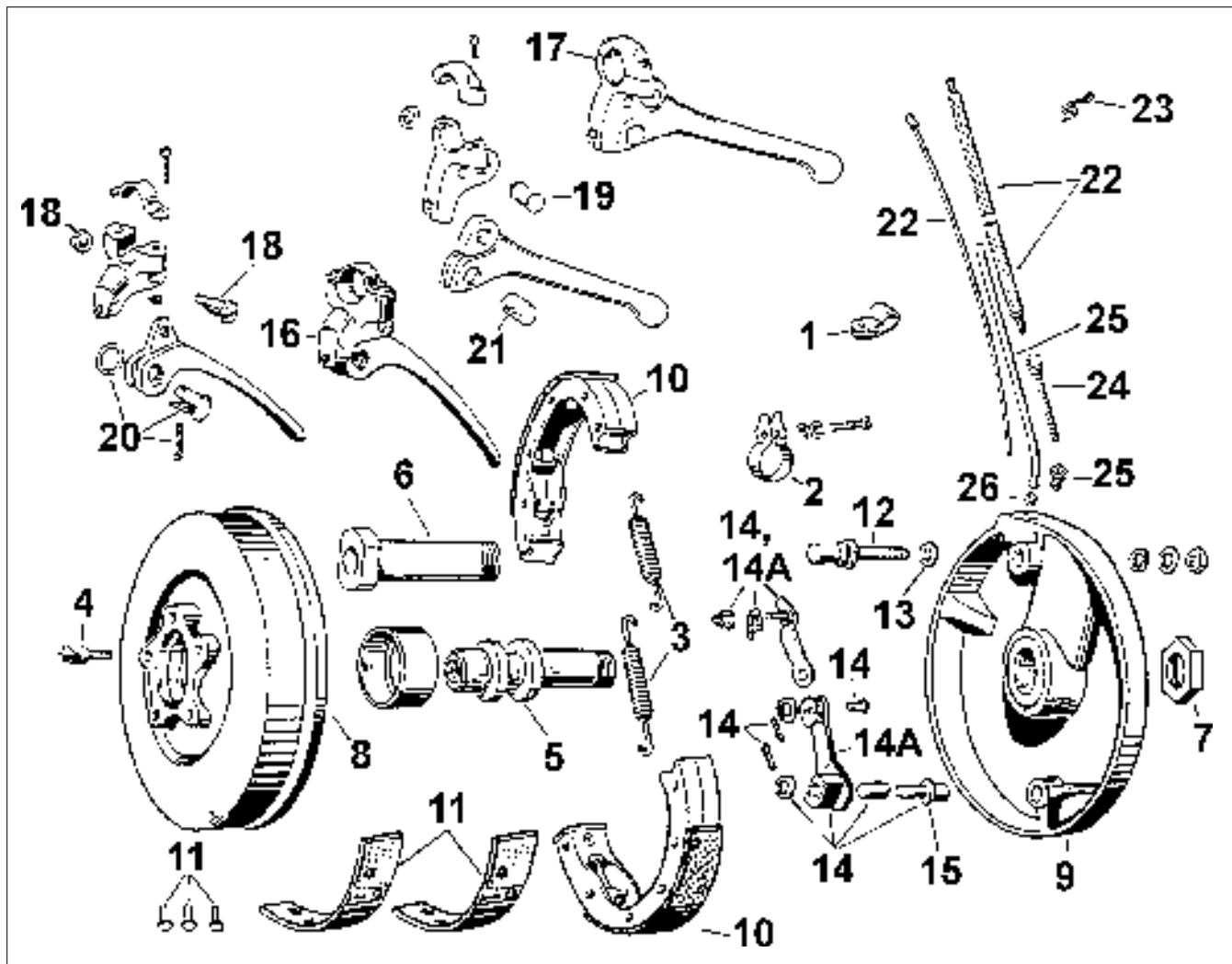
Zinc plated pins include cotter pins and washers.

PCP Application

10105 1930-69 and 1982-on, Shifter 1952-84, XL 1975-76 (42269-30)

10146 1970-81 (42269-70) (5 pack)

FL Front Brake 1949-71



Glide Drum Parts 1949-71

Parts listed fit left unless stated fitting as right.

#	PCP	OEM	Description
1	27601	9963	Cable clip (10 pack)
2	16204	9980	Black bar clip
3	13216	44484-35	Shoe springs 1936-68 (pair)
	13209	41835-69	Shoe springs 1969-71 (pair)
4	19227	43530-35A	Chrome lug bolts (5 pack)
	19226		As above, black
5	564	43882-48	Axle sleeve 1949-66
6	562	43882-67	Axle sleeve 1967-71
7	12574	43886-30	Axle sleeve nut (each)
8	3353	44111-48	Chrome drum 1949-66
9	3359	44125-48	Polished left side plate 1949-66
	46022	44141-50C	Chrome as above
	46024	44141-50B	Polished left side plate 1967-68
	46025		As above, chrome
	46023	44125-69	Polished, right side plate 1969-71
	46026		As above, chrome
10	283	44401-49B	Complete set of shoes 1949-72
11	2046	44432-54	Set of linings and rivets
12	10868	44448-48	Pivot stud
	20006		Pivot stud kit w/biter washer and lockwasher nut
13	3977	44454-48	Locating washer (each)
14	3979	44490-48	Cam lever assembly kit 1949-68
	27119	44490-69A	As above, less stud 1969-72 R/S
	19547	45216-49	Cad front cable clamp

#	PCP	OEM	Description
15	20005	44499-48	Brake cam lever stud
16	50207	45002-41	Polished early lever assembly
	50208	45002-41C	As above, chrome
17	1417	45002-65	Lever assembly 1965-67
	3719	45002-65	As above, chrome
18	5409	45031-41	Pivot screw 1941-64
19	10187	4531-65	Pivot pin 1965-72 (5 pack)
20	10160	45033-49	Lever bushing 1949-64 (5 pack)
21	10163	45036-68	Lever pin & bushing 1965-72
		45039-68	(5 pack)
22	47410	45060-54	Cable inner 53", outer 43"
23	3980	45092-66	Cable guide (5 pack)
24	277	45159-50	Chrome adjusting screw
25	278	45202-50	Cable tube and nut 1949-68
	3981	45200-60	Cross over tube w. nut 69-71 R/S
	19548	45200-60	Cad as above, 14" O.A.L.
26	16056	45207-49	Cable tube seat

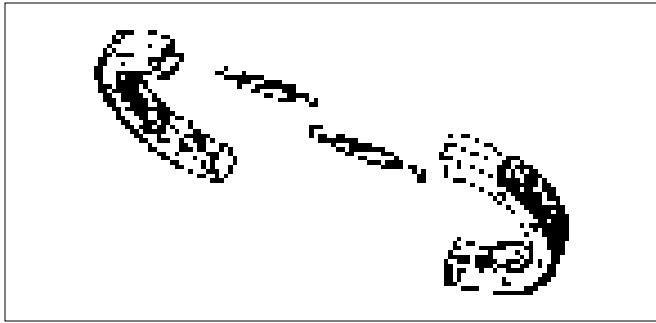
Front Brake Shoe Pivot Stud Kit, FL 1949-71

Includes cad plated pivot stud (44448-48) and washer (44454-48); also parkerized flatwasher (6486), lockwasher (7055) and nut (7835). Also for Servi-car 1958-71.

72082



Brake Shoes



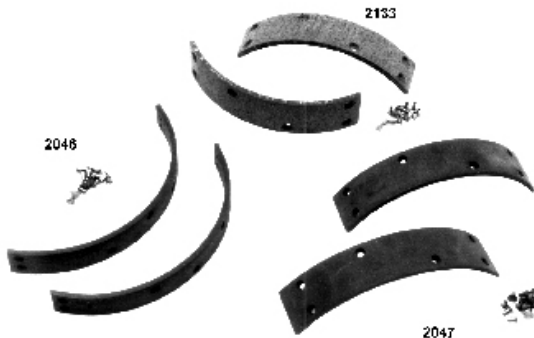
Brake Shoe Springs

Front (pair)

PCP	OEM	Application
13209	41835-69	FLH Glide 1969-72 XL 1952-72
13216	44484-35	Springer 74 & 80 36-57, FL Glide 1948-68

Rear (pair)

PCP	OEM	Application
13205	41835-30	74 & 80 Mechanical 1930-57
13048	41836-58 41837-58	Hydraulic 1958-62
13049	41836-63 41837-63	Hydraulic 1963-72
13209	41835-69	XL 1952-78
13049	41836-36 41837-36	Side car 1958-80
13239	88375-51 88373-51	Servi -Car 1951-73



Brake Linings with Rivets

PCP	OEM	Width	Application
2047	41848-38	1.5"	Rear BT 1938-57, 6 hole
2046	44432-54	1"	Rear XL 1954-78, front BT 1949-72, 8 hole
19331			As above, .025 oversize
2133	41848-64		Front XL 1964-72
2049	41808-63	1-7/16"	Rear BT 1963-72, 8 hole
2048	41802-58	1-1/16"	Rear BT 1958-62, 8 hole
19333	83355-51	2"	Rear Servi car 1951-73, 10 hole



Brake Shoe Sets

Sets are complete with linings installed and are sold in pairs.

Rear, Mechanical

PCP	OEM	Application
283	44401-49B	XL 1954-78
240	41805-38	BT 1938-57
19334	41805-38	BT 38-57 w/original cast construction

Rear, Hydraulic

PCP	OEM	Application
244	41801-58A	FLH 1958-62
250	41801-63	FLH 1963-72
59084		As above, oversize .025
19336	83350-51	Servi-G 1951-73

Front, Glide

PCP	OEM	Application
19337	44401-49A	FLH 1949-72
19338	41849-64	XL 1964-72

Front, Springer

PCP	OEM	Application
19340	44402-36	61, 71, 80" 1936-47, Servi-G 1941-57

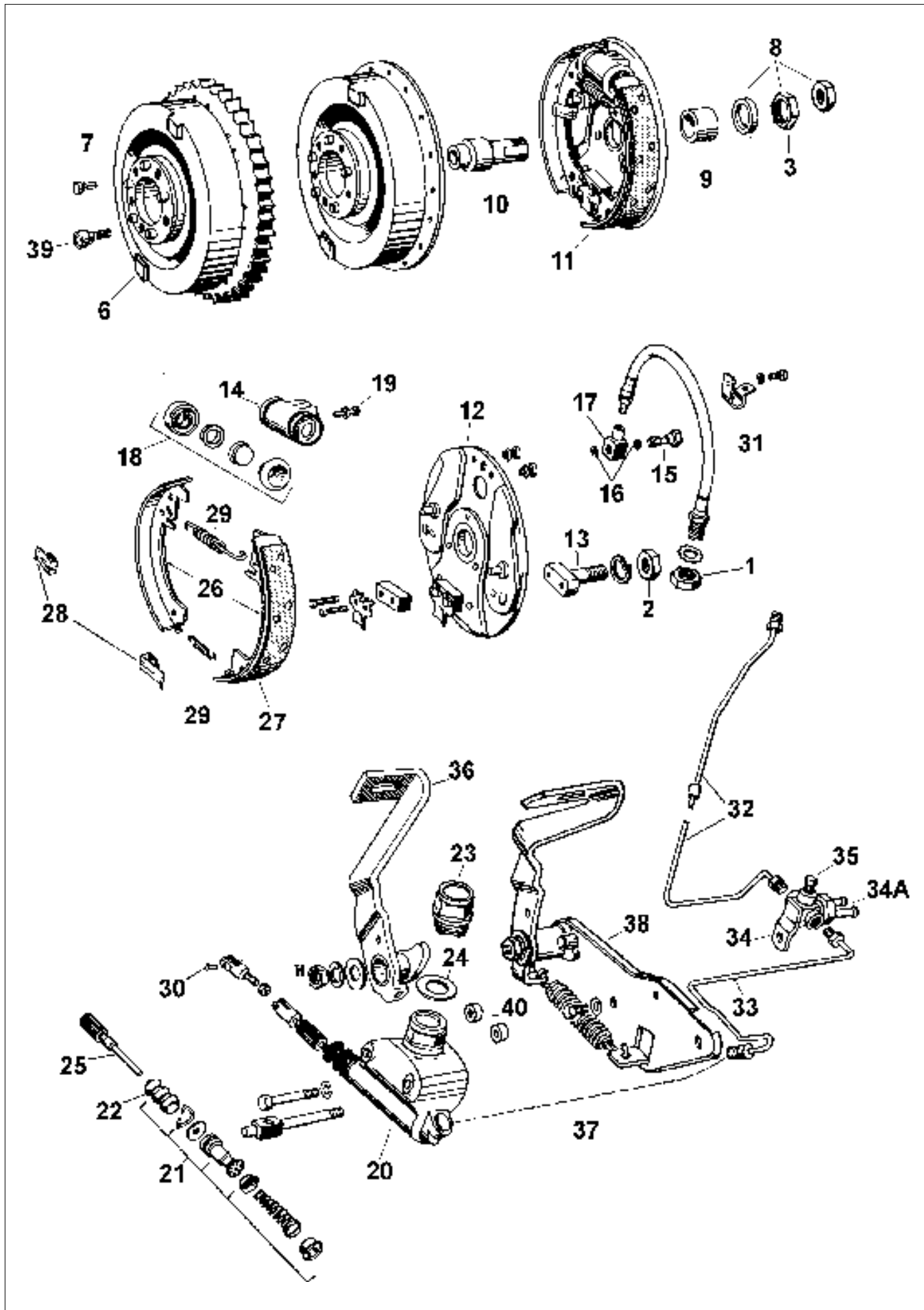


Glide Brake Backing Plate Kits

Includes brake shoes, springs, backing plate, drum, axle sleeve, nuts, mount stud and cam with lever. Available for left side 1949-69 and right side 1969-71. Chrome kit has a chrome drum and backing plate. Black kit has a black drum and polished backing plate.

PCP	Application	Finish
90135	1949-66 left	Chrome kit
90136	As above	Black kit
90137	1967-68 left	Chrome kit
90138	As above	Black kit
90139	1969-71 right	Chrome kit
90140	As above	Black kit
3359	1949-66 left	Polished plate only
46022	As above	Chrome plate only
46023	1969-71 right	Polished plate only
46026	1969-71 right	Chrome plate only

Hydraulic Brake



1958-72 Hydraulic Drum

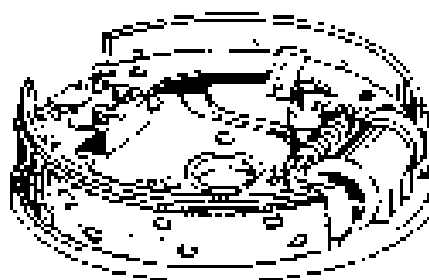
See Drawing on Previous Page

FL, FLH Rear Wheel Brake

#	PCP	OEM	Description	#	PCP	OEM	Description
1	12520	7988	Nut 5/8-18 x 1/4 x 1 hex 58-62	19	2806	41749-58	Bleeder nipple, 1958-62 (5 pk)
2	4614	7993	Nut 5/8 x 18 flexlock 63-72 (pr)	20	713	41761-58	Master Cylinder 58-72
3	12525	8095A	Nut 1-20 x 3/8 x 1-3/8 hex 58-72	21	612	41762-58	Repair kit, m/cyl 58-72
4	2244	36956-65T	Rubber pad, brake pedal 65-on	22	2294	41764-58	Rubber boot, m/cyl 58-on
5	4651	36964-67	Pad only, brake pedal 67-on	23	2313	41765-58	Filler plug, m/cyl 58-79
6	74003	41400-58C	Chrome brake drum 1958-62	24	25140	41766-58	Washer, filler plug 58-on (10 pk)
	74008	41400-63	As above, 1963-66	25	389	41770-58	Chrome plunger, m/cyl 58-69
	74010	41400-67	As above, 1967-72		390	42333-70	As above 1970-E79
7	10141	41425-37	Dowel pin, brake shell 37-72 (5)	26	244	41801-58A	Brake shoes and linings L58-62
8	5197	41596-30	Cad collar/lock/nut kit 58-on (4pc)		250	41801-63	As above, 63-72
	555		As above in chrome	27	2048	41802-58	Linings & rivets 1958-62 (set)
9	556	41596-58	Spacer, side plate 58-62		2049	41808-63	As above 1963-72 (set)
	557	41596-63	As above, 63-72	28	4693	41835-58	Clips, brake shoe 58-72 (pr)
10	551	41600-58	Axle sleeve 58-62	29	13048	41836-58	Return springs 1958-62 (set)
	552	41600-63	As above, 63-66		13049	41836-63	Return springs 1963-72 (set)
	553	41600-67	As above, 67-72			41837-63	
11	74015	41646-58	Chrome plate assembly 1958-62	30	10105	42269-30	Pin, rear rod clevis 58-69 (5 pk)
	74016	41646-63	As above, black 1963-72		10146	42269-70	FL plunger pin 1970-on (5 pk)
	74017		As above chrome 1963-72	31	2564	42300-58	Rear brake hose 58-62
12	74022	41650-58	Chrome side plate 1958-62		2277	42300-63	Rear brake hose 63-72
	74023	41650-63	Black side plate assembly 63-72	32	49000	42301-58A	Rear brake tube 58-69 cad
13	10860	41720-58	Anchor stud 58-72		49008		Rear brake tube 1970-72 cad
14	2278	41740-58	Wheel brake cylinder 58-62		49009		As above, chrome
	5648	41740-63	As above, 63-72	33	49003	42302-58	Front tube 58-on
15	3978	41743-58	Bolt, wheel cylinder 58-72	34	1175	83566-51	Brake line tee 58-69
16	2127	41744-58	Gasket, fitting 58-72 (10 pk)	34A	5673	42310-58	Switch 1958-80 pole type
17	2128	41745-58	Swivel fitting, brake cyl 58-62		5674	720723-51A	Switch 1971-07 flag type
	3976	41750-63	As above 63-72	35	4698	42311-58	Plug, rear brake line 58-72 (5 pk)
18	613	41748-58	Repair kit, wheel cylinder 58-62	36	245	42402-59	Chrome brake pedal late 58-69
					2039	42402-73A	As above, 1973-79
				37	13207	42427-58	Spring, foot lever 58-68
					13208	41835-69	As above, 1969-84
				38	246	42480-59	Foot brake lever bracket 59-69
					2038	42480-73	As above L73-E79
				39	19226	43530-35	Black wheel bolts 1936-72 (5)
					19227	43530-35	As above, chrome
				40	2040	50668-35	Spacer m/cyl stud 58-79 (pr)

Stock Brake Pedal Pad

OEM replacement #36954-62. rear brake. Fits BT 58-64 & FX 1971 & up.
1295 Black



Brake Drum Backing Plate

Hydraulic type has mount stud and shoe cam installed.

PCP	OEM	Description
74020	41650-37	Black, rigid 1937-57
74021		As above chrome
74022	41650-58	Chrome, hydraulic 1958-62
74023	41650-63	Black, hydraulic 1963-72
74024		As above chrome

Black Rear Master Cylinder

For BT 1958-72 drum models.

46799 41761-58



Hydraulic Backing Assembly

Includes chrome or black backing plate with wheel cylinder, shoe set and springs. Hose fitting and banjo bolt supplied.

Cast drum and axle sets sold separately.

Assembly	Description	Drum
74014	Black 1958-62	74002
74015	Chrome 1958-62	74003
74016	Black 1963-66	74004
74017	Chrome 1963-66	74008
74016	Black 1967-72	74009
74017	Chrome 1967-72	74010

Axle Kit

43344	1958-62
43345	1963-66
43346	1967-72

Brake Drum



Brake Drum with Sprocket

Complete OEM replacements with riveted on sprocket. The following drums are cast iron material: 74003, 74008, 74004, 74010, 74009, 74012, 74011, 19832. The remaining drums are made from drawn steel.

PCP	OEM	Description
74000	41400-37	Black rigid 1937-57
74001	41400-37	As above, chrome
74002	41400-58	Black hydraulic 1958-62
74003*	41400-58	As above, chrome
74004*	41400-63	Black hydraulic 1963-66
74008*	41400-63	As above, chrome
74009*	41400-67	Black hydraulic 1967-72
74010*	41400-67	As above, chrome
74011*	41401-52	Black XL 1955-78
74012*	41401-52	As above, chrome
19832*	41401-41	Black 45 Solo 1941-52
19833	41401-41	As above, chrome

Note:* these drums are of a cast iron material (the others are made of drawn steel)



Brake Drum Dowel

Fits all 61", 74", 80" and 45" 1937-72. Set of 5.
10141



Rear Brake Drum Kits

Feature backing plate with all components installed, including a pre-arc set of brake shoes to fit the drum supplied. The drum has the 51 tooth sprocket riveted on with an original style dust ring. Includes lug bolts. Axle and sleeve kit must be purchased separately.

PCP	Finish
74025	Black
74026	Chrome



Front Brake Drums

Cast construction drums fit Springer and Glide models.

PCP	OEM	Description
19802	44113-36	(A) Black Springer 1936-47
19803	44113-36	(A) As above, chrome
19812	44111-48	(B) Black Glide 1948-66
3353	44111-48	(B) As above, chrome
19818	44111-67	(C) Black Glide 1967-72
19834	44111-67	(C) As above, chrome



Rear Chain Adjusters

Adjusters are heat treated, plated and sold in pairs with plated lock nuts assembled to insure properly fitting threads.

PCP	Description
5165	Cad BT 1936-72
1796	Chrome BT 1936-72
1632	Chrome Solo 45" 1930-52
5246	Cad Solo 45" 1930-52



XL Chrome Rear Backing Plate

PCP	Years
59086	1973-74
59087	1975-78

Brake Drum



Wheel Lug Bolts for Brake Drums

PCP	OEM	Description
19226	43530-35A	Black BT 1936-72
19227	43530-35A	As above, chromed
19239	43531-35	Chrome BT oversize
5401		Chrome bolts and nuts XL 1952-78
5402		As above, cad

Wheel Cylinders

PCP	Application
2278	1958-62 BT (41740-58)
5648	1963-72 BT (41740-63)

Rebuild Kits

PCP	Application
613	1958-62 BT (41748-58)
614	1963-72 BT (41748-63)
28063	1951-73 Servi (83462-51)
19630	1958-on Sidecar (87752-58A)

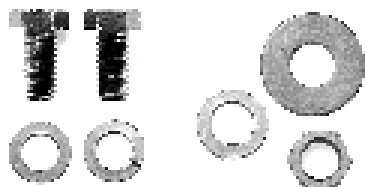


PCP	OEM	Description
2128	41745-58	Wheel cylinder swivel fitting BT 58-62
2806	41749-58	Bleeder screw. Fits FL wheel cylinder 1958-62, FL front caliper 1972-79 FL & FX rear caliper 1973-79, FX & XL front caliper 1974-77
3976	41750-63	Brass wheel cylinder swivel fitting FL 1963-72
3978	41743-58	Wheel cylinder bolt FL 1958-72

Rear Brake Anchor and Pivot Kit

Accurate reproduction of OEM 41876-54 pivot stud, 41730-52 locating block, and 41882-52 nut, used on drum rear brake 1952-72 K and XL.

9208 Cad



Cad Plated Pivot Bolt Washer and Spacer

Replaces OEM's 41882-73, 41883-73, and 41730-73. Fits 1973-78 XL with rear drum brake.

8937



Foot Brake Lever and Bracket Mounting Kit

Nut, washers and bolts are duplicates of OEM hardware used on Big Twins 1936-71.

PCP	Description
9732	Chrome
9733	Cad
9734	Parkerized

Stoplight Switch

Once very hard to find and now reproduced, this switch includes brake arm bracket and spring. Replaces OEM# 72003-34.

2177	Chrome
19098	Black and zinc

Brake Hoses

FRONT FX MODELS

PCP	OEM	Description
FX		
2285	45521-73	Complete (STD) 1973
4250		Same as above +4"
2286	45521-74A	Complete (STD) 1974-76
2287		Same as above +4"
4251	45519-77	Complete (STD) 1977
4252		Same as above +4"
4253	45121-77	Upper (STD) 1978-79
4254	45121-77	Lower (STD) 1978-81
FXB		
4257	45126-82	Upper (STD) 1982
2289	45123-77	Lower (STD) 1981-82
2290		Same as above +4"
FXE		
2285	45521-73	Complete (STD) 1973
4250		Same as above +4"
2286	45521-74A	Complete (STD) 1974-76
2287		Same as above +4"
4251	45519-77	Complete (STD) 1977
4252		Same as above +4"
4253	45121-77	Upper (STD) 1978-79
4253	45121-77	Lower (STD) 1978-81
4254		Same as above +4"
4255	45123-79	Upper (STD) 1980
4256	45125-81	Upper (STD) 1981
4257	45126-82	Upper (STD) 1982
2289	45123-77	Lower (STD) 1982
2290		Same as above +4"
FXE-80		
4255	45123-79	Upper (STD) 1980
4256	45125-81	Upper (STD) 1981
4257	45126-82	Upper (STD) 1982
4253	45121-77	Lower (STD) 1980-82
4254		Same as above +4"
4258	45121-83	Complete (STD) 1983
FXEF		
4255	45123-79	Upper (STD) 1980
4256	45125-81	Upper (STD) 1981
4257	45126-82	Upper (STD) 1982
4253	45121-77	Lower (STD) 1980-81
4254		Same as above +4"
2289	45123-77	Lower (STD) 1982
2290		Same as above +4"
FXEF-80		
4255	45123-79	Upper (STD) 1980
4256	45125-81	Upper (STD) 1981
4257	45126-82	Upper (STD) 1982
4253	45121-77	Lower (STD) 1980-81
4254		Same as above +4"
2289	45123-77	Lower (STD) 1982
2290		Same as above +4"
FXR		
4257	45126-82	Upper (STD) 1982-E83
2289	45123-77	Lower (STD) 1982-E83
2290		Same as above +4"
4269	45124-83	Complete (STD) 1983-on
FXRS		
4257	45126-82	Upper (STD) 1982-E83
2289	45123-77	Lower (STD) 1982-E83
2290		Same as above +4"
4269	45124-83	Complete (STD) 1983
FXRT		
4257	45126-82	Upper (STD) 1982
2289	45123-77	Lower (STD) 1982
2290		Same as above +4"
4270	45128-83	Complete (STD) 1983

PCP	OEM	Description
FXS		
2288	45114-77	Upper (STD) 1977-78
2289	45123-77	Lower (STD) 1977-79
2290		Same as above +4"

PCP	OEM	Description
FXS-80		
4255	45123-79	Upper (STD) 1980
4256	45125-81	Upper (STD) 1981
4257	45126-82	Upper (STD) 1982
2289	45123-77	Lower (STD) 1980-82
2290		Same as above +4"

PCP	OEM	Description
FXSB		
4269	45124-83	Complete (STD) 1983

PCP	OEM	Description
FXWG		
4276	45008-80	Upper (STD) 1980
4256	45125-81	Upper (STD) 1981
4277	45127-82	Upper (STD) 1982
2289	45123-77	Lower (STD) 1980-82
2290		Same as above +4"

FRONT FL MODELS

PCP	OEM	Description
FLH		
2283	45120-72A	Complete (STD) 1972-81
4280		Same as above +2"
2284		Same as above +4"
4281		Same as above +6"

PCP	OEM	Description
FLH-80		
2283	45120-72A	Complete (STD) 1980-81 45" OAL
4280		Same as above +2"
2284		Same as above +4"
4281		Same as above +6"
4282	42304-82	Complete (STD) 1982-84

PCP	OEM	Description
FLT		
4283	43331-79	Upper (STD) 1980-81
4284	43332-82	Upper (STD) 1982
4285	43333-79	Lower Right (STD) 1980-82
4286	43334-79	Lower Left (STD) 1980-82

FRONT SPORTSTER MODELS

PCP	OEM	Description
XLH		
2285	45521-73	Complete (STD) 1973
4250		Same as above +4"
2286	45521-74A	Complete (STD) 1974-77
2287		Same as above +4"
4253	45126-82	Upper 1978-79

PCP	OEM	Description
XLCH		
2285	45521-73	Complete (STD) 1973
4250		Same as above +4"
2286	45521-74A	Complete (STD) 1974-77
2287		Same as above +4"
4251	45519-77	Complete (STD) 1977
4252		Same as above +4"
4253	45121-77	Lower (STD) 1978-82
4253	45121-77	Upper (STD) 1978-79
4254		Same as above +4"



Chrome Steel Brake Tees

Chrome inverted brake tees for custom brake line make-up.

- PCP Application**
- 46153** Center hole inverted flare 3/8"-24 UNF, side tubes 3/8"-24 UNF, mounting hole 5/16" I.D.
 - 46154** Center hole 1/8"-27 NPT, side tubes 3/8"-24 UNF, mounting hole 5/16" I.D.
 - 46155** Center hole & side tubes 1/8"-27 NPT, mounting hole 5/16" I.D.

Brake Hoses

FRONT SPORTSTER MODELS Continued

	PCP	OEM	Description
XL			
	4251	45519-77	Complete (STD) 1977
	4252		Same as above +4"
	4253	45121-77	Lower (STD) 1978-82
	4253	45121-77	Upper (STD) 1978-79
	49507		Same as above +2"
	4254		Same as above +4"
	4255	45123-79	Upper (STD) 1980
	4256	45125-81	Upper (STD) 1981
	4257	45126-82	Upper (STD) 1982
	4258	45121-83	Complete (STD) 1983
	4259	45121-84	Complete (STD) 1984-85

XLS

	2289	45123-77	Lower (STD) 1979-82
	2290		Same as above +4"
	2288	45114-77	Upper (STD) 1979
	4256	45125-81	Upper (STD) 1981
	4257	45126-82	Complete (STD) 1982
	4262	45130-83	Complete (STD) 1983

XLX

	4264	45122-83	Complete (STD) 1983
	4265	45122-84	Complete (STD) 1984-85

XR 1000

	4266	45132-83	Complete (STD) 1983
--	------	----------	---------------------

REAR SPORTSTER MODELS

XLCH

	4288	42329-79	Hose (STD) 1979
	4289	44437-77	Tube (STD) 1979

XL

	4288	42329-79	Hose (STD) 1979
	4289	44437-77	Tube (STD) 1979
	4290	44438-80	Hose (STD) 1980-81
	4291	42477-80	Tube (STD) 1980
	4292	42484-81	Tube (STD) 1981-86
	4293	44438-82	Rear (STD) 1982-86

XLS

	4288	42329-79	Hose (STD) 1979
	4289	44437-77	Tube (STD) 1979
	4290	44438-80	Hose (STD) 1980-81
	4291	42477-80	Tube (STD) 1980
	4292	42484-81	Tube (STD) 1981-on
	4293	44438-82	Hose (STD) 1982-86

XLX

	4293	44438-82	Hose (STD) 1982-on
	4292	42484-81	Tube (STD) 1982-86

CR 1000

	4294	42325-77	Hose (STD) All Years
--	------	----------	----------------------

Rear FX MODELS

FX

	2277	42300-63	Hose (STD) 1971-72
	2282	42328-73A	Hose (STD) 1973-77

FXB

	4295	45151-78	Hose (STD) 1981-82
	4296	45150-79	Tube (STD) 1981-82

FXE

	2282	42328-73A	Hose (STD) 1973-77
	4295	45151-78	Hose (STD) 1978-on
	4296	45150-79	Tube (STD) 1978-on

FXE-80

	4295	45151-78	Hose (STD) 1978-on
	4296	45150-79	Tube (STD) 1978-on

FXEF

	4295	45151-78	Hose (STD) 1978-84
	4296	45150-79	Tube (STD) 1978-84

	PC P	OEM	Description
FXEF-80			
	4295	45151-78	Hose (STD) 1978-on
	4296	45150-79	Tube (STD) 1978-83
FXR			
	4299	40956-82	Hose (STD) 1982-E87
FXRS			
	4299	40956-82	Hose (STD) 1982-on
FXRT			
	4299	40956-82	Hose (STD) 1982-on
FXS			
	4295	45151-78	Hose (STD) 1978-on
	4296	45150-79	Tube (STD) 1978-on
FXS-80			
	4295	45151-78	Hose (STD) 1978-on
	4296	45150-79	Tube (STD) 1978-on
FXSB			
	4298	42320-82	Tube (STD) 1983-85
FXWG			
	2281	42300-73A	Hose (STD) 1980-82
	4300	41004-80	Tube (STD) 1980-82
	4301	41004-82	Tube (STD) 1983-86

Rear FL MODELS

FLH

	2564	42300-58	Hose (STD) 1958-62
	49002	42302-58	Brake Tube (STD) 1958-69
	49000	42301-58	Brake Tube (STD) 1958-69
	2277	42300-63	Hose (STD) 1963-72
	49004	42303-70A	Brake Tube (STD) 1970-72
	49006	42304-70A	Brake Tube (STD) 1971-79
	2281	42300-73A	Hose (STD) 1973-E80, FLHS 81-81

	4303	40912-81	Hose (STD) 1981-83
	4304	42304-79	Tube (STD) 1979-83

FLH-80

	4303	40912-81	Hose (STD) 1981-83
	4304	42304-79	Tube (STD) 1981-83

FLT

	4306	40971-79	Hose (STD) 1980-82
	4307	40966-79	Tube (STD) 1980-82
	4308	40971-83	Hose (STD) 1983

FLHT

	4308	40971-83	Hose (STD) 1983
--	------	----------	-----------------

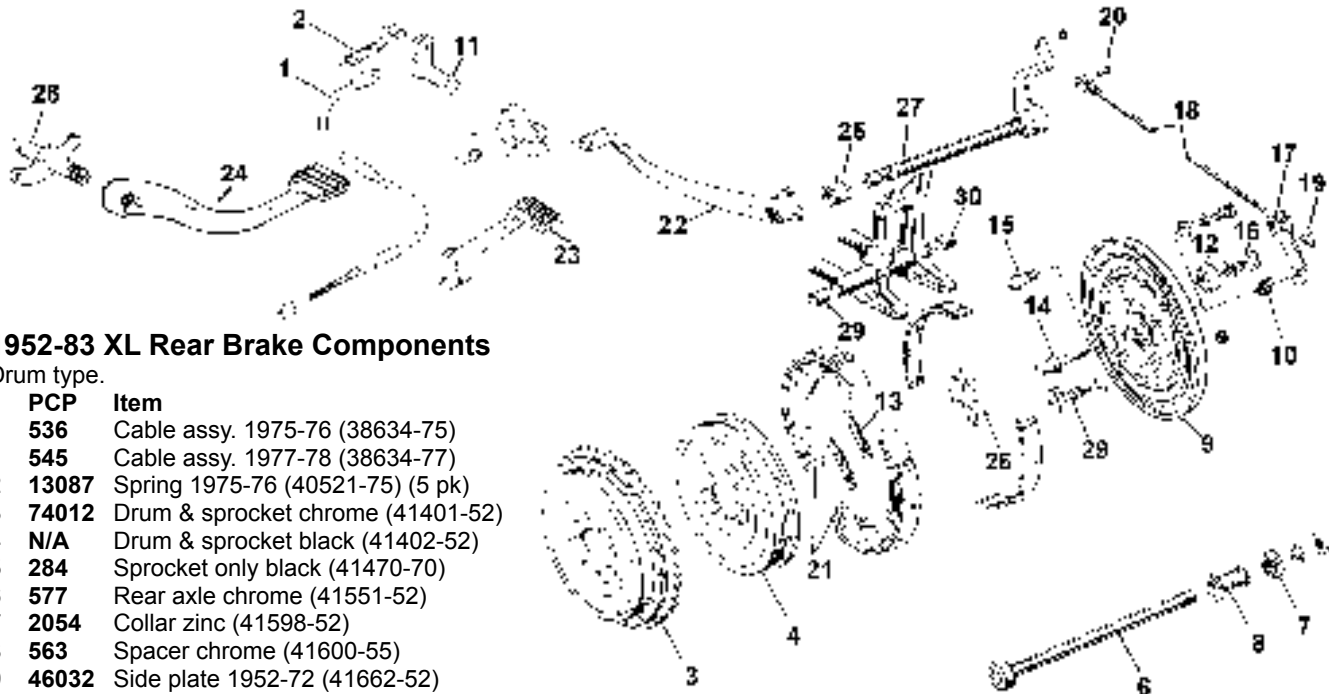


1982-on Banjo Bolt Sealing Washers

Banjo bolt sealing washers for 1982-on brake fittings found on most disc brake models. **Sold in 10 packs.**

- 25281** 10mm for handlebar master cylinders 1982-99, dual disc models, and brake calipers 1984-on (replaces 41731-88A)
- 25282** 12mm for handlebar master cylinders 1984-99, single disc models (replaces 41733-88)

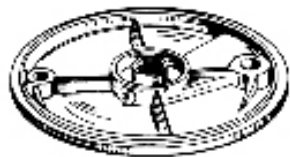
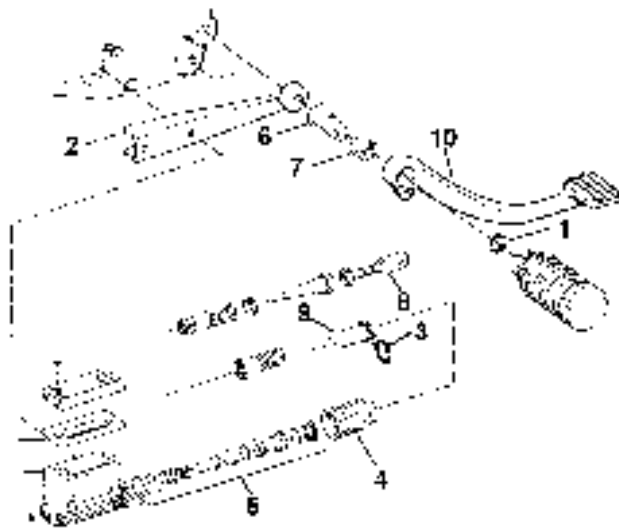
XL Rear Brake



1952-83 XL Rear Brake Components

Drum type.

PCP	Item
1	536 Cable assy. 1975-76 (38634-75)
1	545 Cable assy. 1977-78 (38634-77)
2	13087 Spring 1975-76 (40521-75) (5 pk)
3	74012 Drum & sprocket chrome (41401-52)
4	N/A Drum & sprocket black (41402-52)
5	284 Sprocket only black (41470-70)
6	577 Rear axle chrome (41551-52)
7	2054 Collar zinc (41598-52)
8	563 Spacer chrome (41600-55)
9	46032 Side plate 1952-72 (41662-52)
9	46021 Side plate 1973-74 (41662-74A)
9	2134 Side plate 1975-78 (41662-75)
10	3365 Spring lever (41667-75) (each)
11	16537 Splined arm 1975-76 (41620-75)
12	2571 Locating block zinc 1952-72 (41730-52) (each)
13	13209 Shoe springs (41835-69) (pair)
14	10861 Pivot stud 1954-72 (41876-54)
15	10862 Pivot stud 1973-78 (41876-73)
16	12571 Stud nut 1954-72 (41882-52)
17	279 Rear lever chrome (41925-52)
18	280 Brake rod, short 1954-66 (42252-52)
18	281 Brake rod, long 1967-74 (42253-67)
19	12572 Adjuster nut 1954-78 (42264-52)
20	10105 Clevis pin 1975-76 (42269-30)
21	283 Shoe & rivet set 1954-78 (44401-49B)
22	1384 Pedal, chrome 1954-74 (42410-52)
23	1385 Pedal, chrome 1975-76 (42420-75)
24	2660 Pedal chrome 1977-79 (42410-75A)
25	13213 Return spring 1954-78 (42427-52)
26	2046 Lining set 1954-78 (44432-54A)
27	2135 Cross shaft 1954-74 (42549-52)
28	46203 Operate shaft 1977-79 (42549-75)
29	46204 Cam shaft 1954-78 (44264-54)
30	18586 Bushing 1952-74 (47757-52) (pair)



XLH-XLCH Brake Plate

Cast aluminum backing plate fits the following years, Sportsters 1973-78 model will not accept cable type.

Polished	Chrome	Application
-	46032	1954-72 Rod (41662-54)
46021	46028	1973-74 Rod (41662-74A)
2134	46034	1975-78 Cable (41662-75)



1980-87 XL Rear Brake Pedal & Components

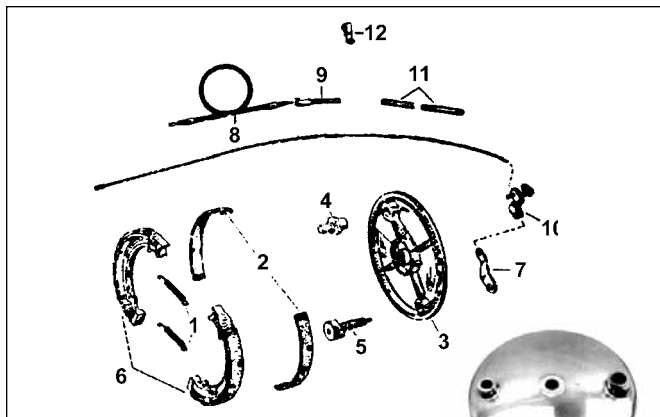
PCP	Application
1	11033 Pivot retainer 1980-on (11093)
2	27013 Bracket 1983-90 (34909-83)
3	11084 Retaining ring 1982-E87 (40918-82)
4	3963 Push rod boot 1980-03 (40922-79)
5	2559 Rebuild kit 1982-E87 (42374-82A)
6	10908 Pivot shaft 1980-90 (42441-80)
7	18573 Bushing 1980-on (42443-80)
8	61026 Rod end only 1980-E87 (42445-80A)
9	61027 Plunger 1982-E87 (42448-82A)
10	2661 Pedal 1980-03(42459-80B)

Brake Drum Bolt Kit Rear

Available in chrome or cad plating these special shouldered bolts and locknuts fit 1952-1978 Sportster rear drum.

5401	Chrome
5402	Cad

XL Rear Brake

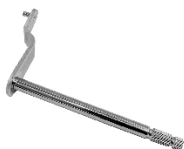


XL Front Brake Parts 1954-72

#	PCP	Description
1	13209	Spring, brake shoe 1969-72 (41835-69)
2	2133	Brake linings and rivet set 1964-72 (41848-64)
	2046	Brake lining and rivet set 1954-63 (44432-54A)
3	46202	Polished backing plate 1964-72 (44148-64)
4	10870	Pivot stud 1964-72 (44156-64)
	19608	Pivot stud 1952-63 (44156-52)
5	46204	Brake cam rear 1954-78 (44264-54)
	19609	Brake cam front (44264-64)
6	283	Brake shoe and lining set 1954-63 (44401-49B)
7	16264	Chrome lever (44307-52)
8	47410	Control cable assembly 1954-72 (45060-54)
9	277	Chrome adjusting screw 1954-72 (45159-50)
10	16265	Chrome clevis 1964-72 (45174-64)
11	291	Chrome front brake tube 1954-72 (45203-52)
12	16230	Chrome cable tube clamp 1954-72 (45218-52)

XL Cross Shaft 1975-76

36159 42548-75



XL Brake Operating Lever

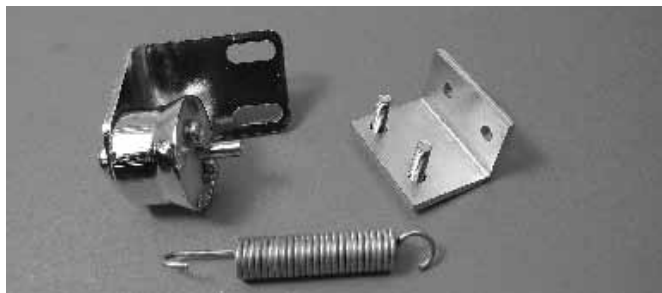
Fits pre 1972.

27110 44307-52



XL Chrome Brake Pedal

37517 XL 1980-96 (42459-80) (no linkage)
2661 XL 1980-03 (42459-80B)

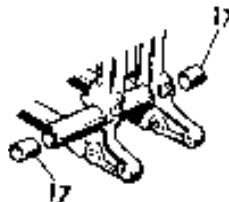


Chrome Rear Brake Drum Cover

Use on 1954-78 and XLCH.

45004 Plain

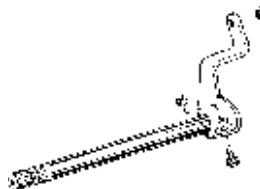
74012 Chrome brake drum assembly



Sportster Brake Shaft Bushing

Pair replaces 47757-52 on 1954-74 brake shaft, 1975-76 shifter shaft.

18586



XL Brake Cross Shaft

Replaces 42549-52 on 1954-74 all models XLH-XLCH, zinc.

2135

Rear Brake Cable Assembly

Fits drum brake sportster models 1975-78, 2 types.

PCP Years

536 1975-76 (38634-75)

545 1977-78 (38634-77)



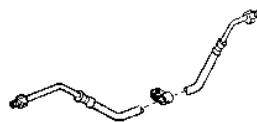
XL Rear Brake Tube

Chrome plated-line for all 1979-86 XL models.

PCP Fits

4289 1979 Only (44437-77)

4292 1981-86 (42484-81)



1975-76 Brake Switch

OEM Sportster type chrome replaces 72004-75 on 1975-76 mechanical brakes models, pull type.

PCP Description

17204 Switch (72004-75)

13087 Spring (40521-75)

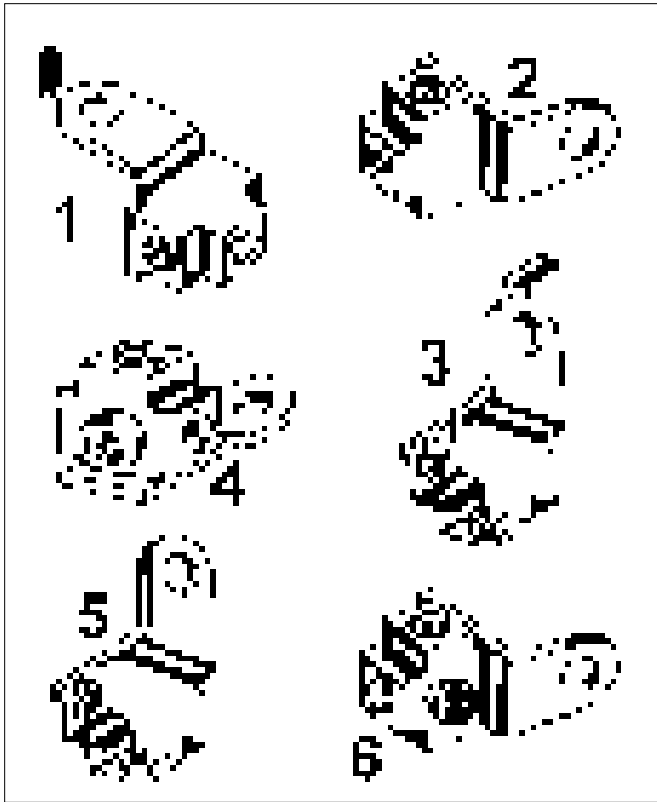


Chrome Brake Light Switch Kits

17264 Fits 1975-76, Pull type

17214 Fits 1977-78, Push type

Brake Lines/Tees



Chrome Brake Tees

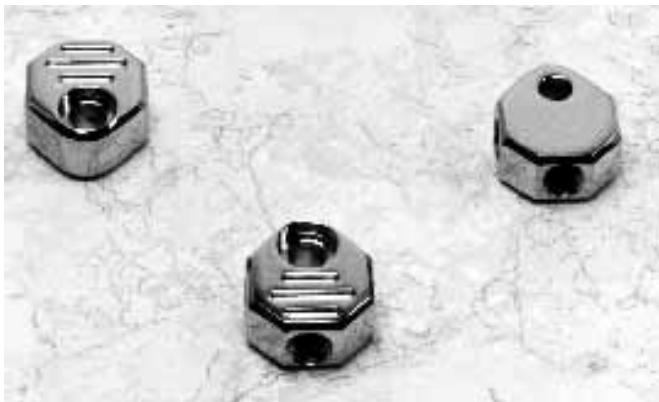
Chrome plated front and rear replacement tees for all Twins.

Front

#	PCP	Fits
1	3373	FX 1978-E79, XL 1978 (43308-78)
2	3368	FXWG 1980-82, XL 1982, FXR 82-83 (44311-80)
4	3375	E1977, FX, XL L1979-81 not FXWG (44310-77)

Rear

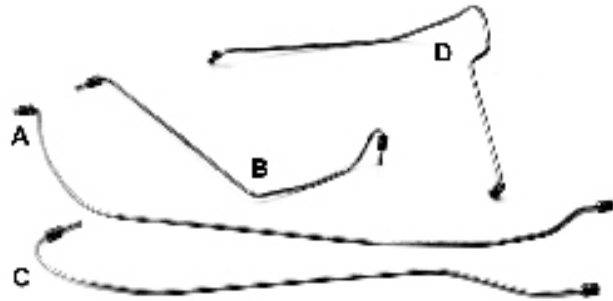
3	1175	FL 1958-69 (83566-51)
5	3370	FL 1972-80 w/o Sidecar, FX L77-E79, FXWG 1980-82 (42318-72)
6	3366	FX 1971-72, FL 1970-83 with Sidecar (42309-70)



Custom Brake Tees

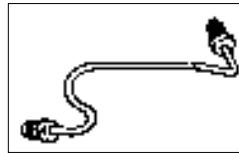
These chrome plated custom brake tees are made from aluminum and offer a finishing touch to any brake line system.

46150	Front tee for 3 inverted flare lines (3/8-24)
46151	Front tee for 2 inverted flare lines (3/8-24) and 1 with 1/8" NPT
46152	Universal tee with 1/8" NPT in all 3 holes



Steel Foot Brake Lines

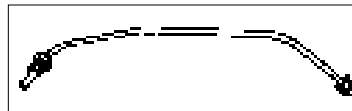
- (A) **49000** Cad line, rear FL 1958-69 (42301-58A)
- 49001** Chrome line as above
- (B) **49002** Cad line, front master cylinder to tee FL 1958-69
- 49003** Chrome line as above (42302-58)
- (C) **49004** Cad line, rear FL 1970-72 (42304-70A)
- 49005** Chrome as above
- (D) **49006** Cad line, master cylinder to rear tee, FL 1970-79
- 49007** Chrome as above (42303-70A)
- 49008** Cad rear brake tube 1970-72
- 49009** Chrome as above



Late FLH Front Brake Line

Replaces OEM 42304-79. Used on all 1979-84 FL, FLH, Classic. May also be used on all 1979-FX models converted to FL type forward mount brake.

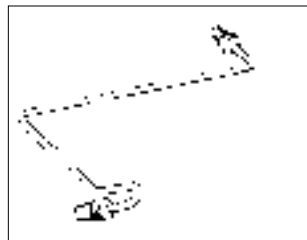
4304



XL Rear Brake Tube

Replaces OEM 44437-77. Fits all 1979 only XL's. Chrome plated.

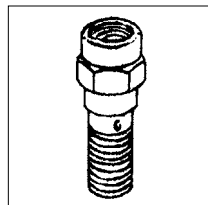
4289



FLH Front Line

Use stock replacement on 1970-79 FLH or on our forward control kits.

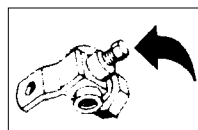
2137 (42321-71)



Russell Banjo Bolt

Bolt accepts brake light switch and eliminates the need for a junction block. Replaces standard 3/8x24 bolt. Each.

24023



Bracket Tee Plug

Replacement plug for all 1958-72 Big Twins. Replaces OEM 42311-58.

4698 5 Pack